

FIG. 1.

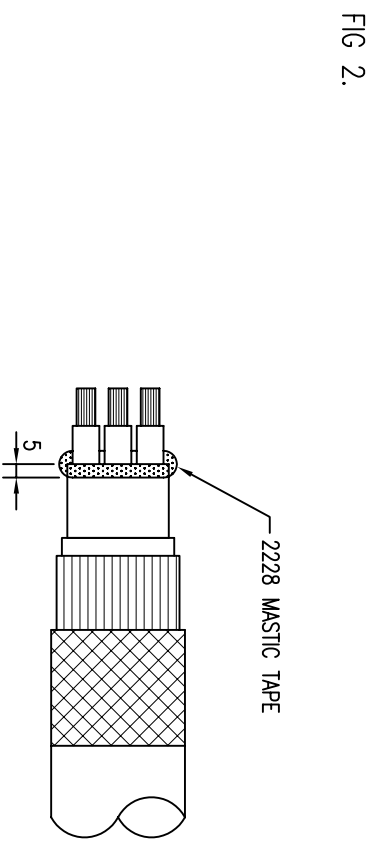


FIG. 2.

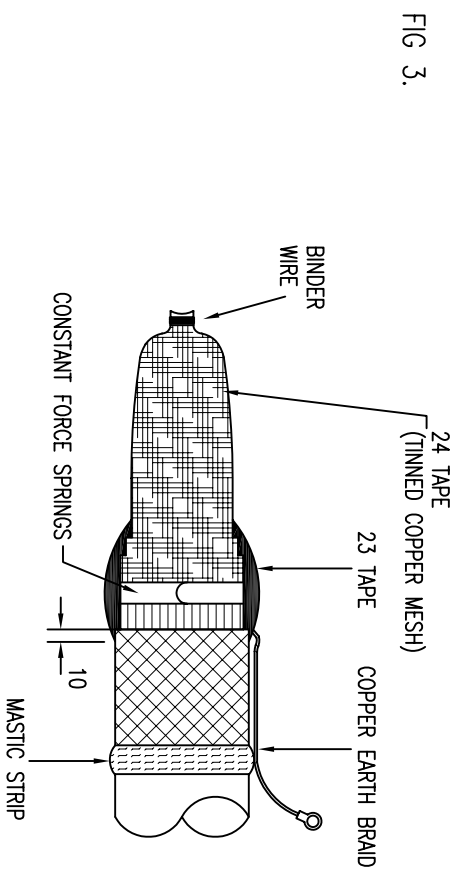


FIG. 3.

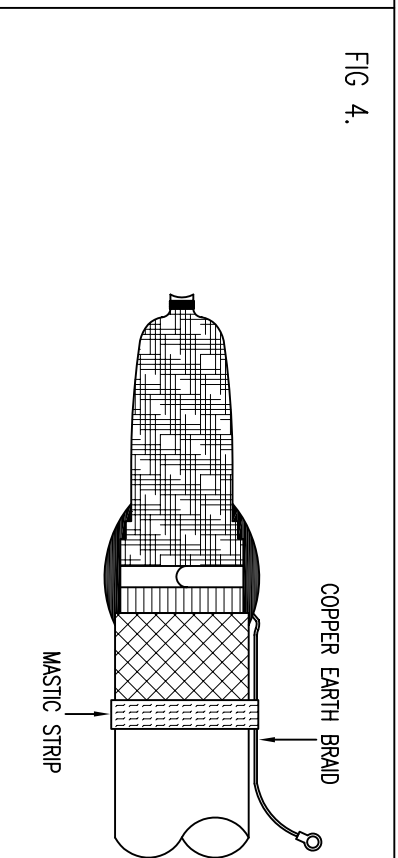


FIG. 4.

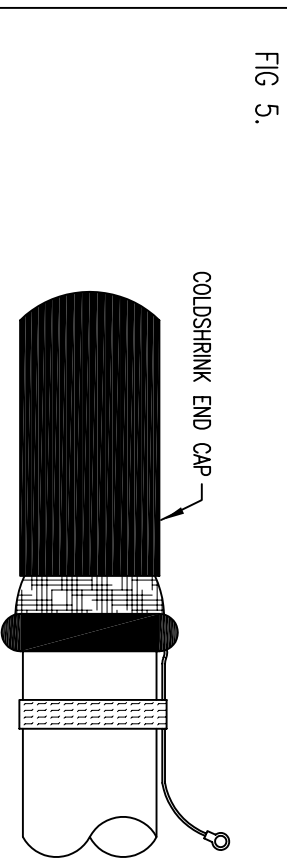


FIG. 5.

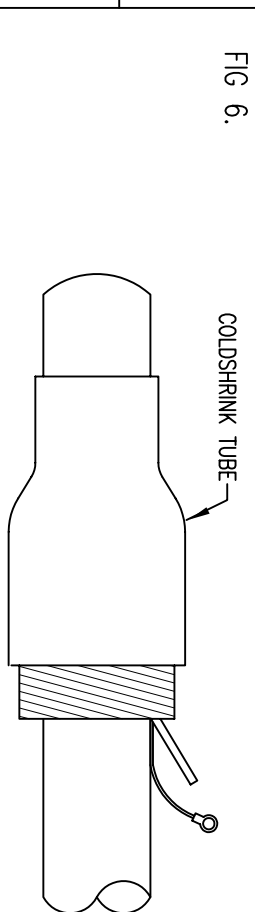


FIG. 6.

© 3M UNITED KINGDOM PLC 1997
 3M CENTRE, CAIN ROAD,
 BRACKNELL, BERKS. RG12 8HT, ENGLAND

ALL STATEMENTS, TECHNICAL INFORMATION AND RECOMMENDATIONS CONTAINED HEREIN ARE BASED ON TESTS WE BELIEVE TO BE RELIABLE. HOWEVER, SINCE THE CONDITIONS OF USE AND THE APPLICATION ARE BEYOND OUR CONTROL THE PURCHASER IS RESPONSIBLE FOR THE PERFORMANCE OF THE SPICES AND TERMINATIONS MADE IN CONNECTION WITH THE USE OF DATA OR SUGGESTIONS STATED HEREIN.

DES. ENG.:	CAD FILE	2328-4-1
1st ISSUE DATE :	21.03.97	
MOD. ENG.:	1st CHANGE DATE:	29.10.97
DRAWN :	2nd CHANGE DATE:	31.09.98
CHECKED :	3rd CHANGE DATE:	13.08.01
RELEASED:	4th CHANGE DATE:	31.06.05

3M ELECTRICAL PRODUCTS

XE 0091 2328 4 1 of 2 A3

- FIG:1**
- 1.1 PREPARE CABLE AS SHOWN.
 - 1.2 ABRAD CABLE SHEATH AND CLEAN FOR 50mm.

- FIG:2**
- 2.1 APPLY 2228 MASTIC TAPE TO SEAL CABLE CRUTCH OVER LEAD AND BETWEEN CORES. OVERLAPPING 5mm ON TO CABLE BEDDING OR LEAD SHEATH (IF APPLICABLE).

- FIG:3**
- 3.1 WRAP 2 HALF LAPPED LAYERS OF 24 TAPE (TINNED COPPER MESH) OVER THE CABLE STARTING AT THE CONDUCTORS UP ON TO THE ARMOUR. USE BINDER WIRE OVER THE CONDUCTORS AND LEAD SHEATH (WHERE APPLICABLE) TO ENSURE CONTACT.
 - 3.2 FIT THE CONSTANT FORCE SPRING OVER THE 24 TAPE AND ARMOUR.
IF AN EARTH IS REQUIRED THIS SHOULD BE FIXED BETWEEN THE 24 TAPE AND ARMOUR.
 - 3.3 OVER TAPE THE CONSTANT FORCE SPRING WITH 2 LAYERS OF HIGHLY STRETCHED 23 TAPE APPLIED IN THE SAME DIRECTION AS THE SPRING. CONTINUE UP OVER THE OVERSHEATH FOR 10mm.

- FIG:4**
- 4.1 WHERE AN EARTH BRAID IS BEING USED APPLY 1 LAYER OF MASTIC STRIP AROUND THE CABLE SHEATH AT GIVEN DIMENSION, PUSH BRAID INTO MASTIC AND APPLY SECOND LAYER OVER THE BRAID.

- FIG:5**
- 5.1 POSITION END CAP OVER END OF CABLE AS SHOWN, AND SHRINK ON TO THE CABLE BY UNWINDING THE CORE.

- FIG:6**
- 6.1 POSITION COLD SHRINK PST OVER CABLE.
 - 6.2 COMMENCING 15mm ON END OF END CAP SHRINK DOWN COLD SHRINK PST BY UNWINDING CORE IN AN ANTI-CLOCKWISE DIRECTION.

Cable o/d (mm)	Kit Ref.
12-18	CSCAK/1
18-25	CSCAK/2
25-42	CSCAK/3
42-55	CSCAK/4
56-81	CSCAK/5

<p>© SEM UNITED KINGDOM PLC 1997 3M CENTRE, CAIN ROAD, BRACKNELL, BERKS. RG12 8HT, ENGLAND</p>		ISSUE: 5	ISSUE DATE: 31.09.98
---	--	-------------	-------------------------

ALL STATEMENTS, TECHNICAL INFORMATION AND RECOMMENDATIONS CONTAINED HEREIN ARE BASED ON TESTS WE BELIEVE TO BE RELIABLE. HOWEVER, SINCE THE CONDITIONS OF USE AND THE APPLICATION ARE BEYOND OUR CONTROL THE PURCHASER IS RESPONSIBLE FOR THE PERFORMANCE OF THE SPICES AND TERMINATIONS MADE IN CONNECTION WITH THE USE OF DATA OR SUGGESTIONS STATED HEREIN.

DES.ENG.:	CAD FILE	2328-4-2
MOD.ENG.:	1st CHANGE DATE:	21.03.97
	2nd CHANGE DATE:	29.10.97
DRAWN : ADP	3rd CHANGE DATE:	31.09.98
CHECKED :	4th CHANGE DATE:	13.08.01
RELEASED:		31.06.05

COLD SHRINK
 CABLE ABANDONMENT KIT
 FOR 1, 2, 3 AND 4 CORE LEAD
 SHEATHED AND/OR ARMoured
 CABLES UP TO AND INCLUDING
 1.9 / 3.3kV
 CSCAK/1 TO CSCAK/5
 12-81mm O/D.

SEM ELECTRICAL PRODUCTS

XE 0091 2328 4 2 of 2 A3