

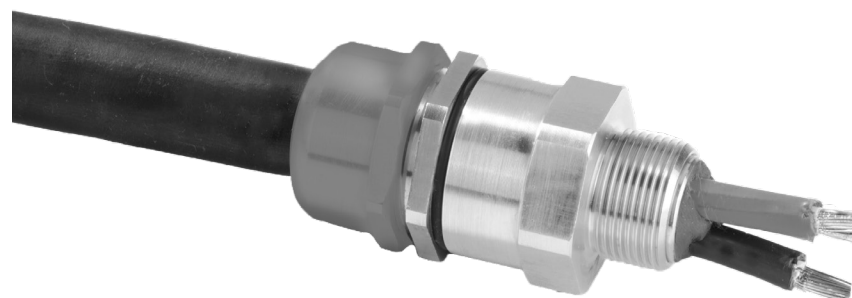


INSTALLATION INSTRUCTIONS FOR CMP CABLE GLAND TYPE PXSS2K

FOR TERMINATION OF UNARMoured, BRAIDED CABLES AND EXTRA HARD CORD
USAGE CABLES FOR USE IN HAZARDOUS LOCATIONS.

INCORPORATING EU DECLARATION OF CONFORMITY TO DIRECTIVE [2014/34/EU]

CABLE GLAND TYPE PXSS2K



Cable Gland Selection Table



TECHNICAL DATA

CABLE GLAND TYPE : PXSS2K
INGRESS PROTECTION : IP66, IP67, IP68
PROCESS CONTROL SYSTEM : BS EN ISO 9001
 : ISO/IEC 80079-34:2011

EXPLOSIVE ATMOSPHERES CLASSIFICATION

ATEX CERTIFICATION No : SIRAI3ATEX1072X, SIRAI3ATEX4078X
ATEX CERTIFICATION CODE : II 2 GD, II 1D, Ex d IIC Gb, Ex e IIC Gb, Ex ta IIIC Da
 : II 3 G Ex nR IIC Gc, IIIM2 Ex d I Mb, Ex e I Mb

IECEX CERTIFICATION No

IECEX CERTIFICATION CODE : Ex d IIC Gb, Ex e IIC Gb, Ex nR IIC Gc, Ex ta IIIC Da, Ex d I Mb, Ex e I Mb
cSAsus CERTIFICATION No : 2288626

cSAsus CERTIFICATION CODE : Class I, Groups A, B, C and D; Class II, Div. 2, Groups F and G; Class III, Div. 2; Type 4X; Oil Resistance II
 : Class I, Zone 1 AEx d IIC Gb, AEx e IIC Gb, Class I, Zone 2 AEx nR IIC Gc, Class I, Zone 20 AEx ta IIIC Da
 : E2011888, E253914

UL CERTIFICATION FILE : Class I, Div 2, Groups A,B,C,D; Class II, Div 2, Groups FG, Class I, Zone 1 AEx d IIC, AEx e II
UL CERTIFICATION CODE : (Code details depends upon application - please see certificate)

INSTALLATION INSTRUCTIONS

Installation should only be performed by a competent person using the correct tools. Read all instructions before beginning installation.

SPECIAL CONDITIONS FOR SAFE USE

1. According to the CEC wiring code, connectors with metric threads are only suitable for Areas Classified in ZONES unless fitted with an approved Metric to NPT thread conversion adaptor.
2. Wiring method for type of cables that can be used in Class I, Div. 1, 2, and Class I, Zone 1, 2, Classified Areas according to 60079-14 installation wiring method restrictions.
3. Shipboard Cables are for use on Marine Platform or shipboards only and are subject to local authorities having jurisdiction on the installation.
4. CAUTION - To reduce the risk of flame propagation, fittings with ISO metric threads require:-
 a) 5 full threads engaged for gas groups C and D
 b) 10 full threads engaged for gas groups A and B
5. When the connector is supplied with metric entry threads, a CMP Entry Thread Washer should be fitted between the connector and the enclosure to prevent the ingress of moisture or dust into the enclosure. Thread tape must not be applied to the threads.
6. Before installing the connector, ensure that the connector thread forms and the enclosure thread form are compatible.

ACCESSORIES

The following accessories are available from CMP Products, as optional extras, to assist with fixing, sealing and earthing :-
 Locknut | Earth Tag | Serrated Washer | Entry Thread (I.P.) Sealing Washer | Shroud *

Cable Gland Size	Available Entry Threads (Alternate Metric Thread Lengths Available)					Number of Cores	Diameter Over Conductors	Cable Bedding Diameter	Overall Cable Diameter				Across Flats	Across Corners	Protrusion Length	Combined Ordering Reference (*Brass Metric)			Shroud	Cable Gland Weight (Kgs)		
	Standard		Option						Max	Min	Max	Max				Max	Max	Size			Type	Ordering Suffix
	Metric	Min Thread Length (Metric)	NPT	Thread Length (NPT)	NPT																	
20S/16	M20	15.0	1/2"	19.9	3/4"	11	8.6	8.6	3.1	8.6	30.0	33.0	53.1	20S16	PXSS2K	1RA	PVC06	0.20				
20S	M20	15.0	1/2"	19.9	3/4"	11	11.7	11.7	6.1	11.7	30.0	33.0	53.1	20S	PXSS2K	1RA	PVC06	0.20				
20	M20	15.0	1/2"	19.9	3/4"	11	12.6	12.9	6.5	14.0	30.0	33.0	54.2	20	PXSS2K	1RA	PVC06	0.20				
25	M25	15.0	3/4"	20.2	1"	21	17.5	17.9	11.1	20.0	36.0	39.6	60.0	25	PXSS2K	1RA	PVC09	0.33				
32	M32	15.0	1"	25.0	1 1/4"	38	23.6	23.9	17.0	26.3	41.0	45.1	61.1	32	PXSS2K	1RA	PVC10	0.39				
40	M40	15.0	1 1/4"	25.6	1 1/2"	59	30.0	30.3	22.0	32.1	50.0	55.0	62.4	40	PXSS2K	1RA	PVC13	0.56				
50S	M50	15.0	1 1/2"	26.1	2"	89	36.6	36.9	29.5	38.2	55.0	60.5	65.2	50S	PXSS2K	1RA	PVC15	0.66				
50	M50	15.0	2"	26.9	2 1/2"	89	41.0	41.3	35.6	44.0	60.0	66.0	67.6	50	PXSS2K	1RA	PVC18	0.73				
63S	M63	15.0	2"	26.9	2 1/2"	115	47.9	48.4	40.1	49.9	70.1	77.1	71.1	63S	PXSS2K	1RA	PVC21	1.07				
63	M63	15.0	2 1/2"	39.9	3"	115	53.7	54.0	47.2	55.9	75.0	82.5	70.4	63	PXSS2K	1RA	PVC23	1.06				
75S	M75	15.0	2 1/2"	39.9	3"	140	59.9	60.2	52.8	61.9	80.0	88.0	75.3	75S	PXSS2K	1RA	PVC25	1.30				
75	M75	15.0	3"	41.5	3 1/2"	140	64.3	64.2	59.1	67.9	85.0	93.5	74.9	75	PXSS2K	1RA	PVC27	1.30				
90	M90	24.0	3 1/2"	42.8	4"	200	75.3	75.6	66.6	79.4	108.0	118.8	94.8	90	PXSS2K	1RA	PVC31	3.02				
100	M100	24.0	4"	44.0	5"	200	85.6	85.9	76.0	90.9	123.0	135.3	86.3	100	PXSS2K	1RA	LSF33	4.00				

* Note : For material options please add the following suffix to change the Ordering Reference ; Brass (no suffix required), Nickel Plated Brass "S", 316 Grade Stainless Steel "4", Copper Free Aluminium "1"
 For NPT options please add the following digits to the material suffix ; 1/2" = 31, 3/4" = 32, 1" = 33, 1 1/4" = 34, 1 1/2" = 35, 2" = 36, 2 1/2" = 37, 3" = 38, 3 1/2" = 39, 4" = 310 (Brass requires prefix "0")
 Examples : 32PXSS2K1RA534 = Nickel Plated Brass 1-1/4" NPT, 50SPXSS2K1RA035 = Brass 1-1/2" NPT, 25PXSS2K1RA432 = Stainless Steel 3/4" NPT, 20PXSS2K1RA5 = Nickel Plated Brass M20
 Dimensions are displayed in millimetres unless otherwise stated

CMP Products Limited on its sole responsibility declares that the equipment referred to herein conforms to the requirements of the ATEX Directive 2014/34/EU and the following standards:-

EN 60079-0:2012, EN 60079-1:2007, EN 60079-7:2007, EN 60079-15:2010, EN 60079-31:2009, BS 6121:1989, EN 62444:2013

David Willcock

David Willcock - Certification Engineer - (Authorised Person)
 CMP Products Limited, Cramlington, NE23 1WH, UK
 24th June 2015

CE 0518

THORNE & DERRICK INTERNATIONAL
 Thorne & Derrick
 +44 (0) 191 410 4292
 www.powerandcables.com



Notified Body: Sira Certification Service, Unit 6, Hawarden Industrial Park, Hawarden, CH5 3US, UK

www.cmp-products.com

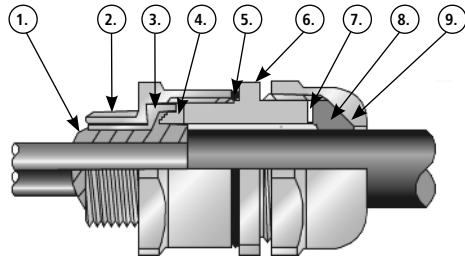


Logo's shown for illustration purposes only. Please check certification for details

INSTALLATION INSTRUCTIONS FOR CMP CABLE GLAND TYPES PXSS2K

CABLE GLAND COMPONENTS

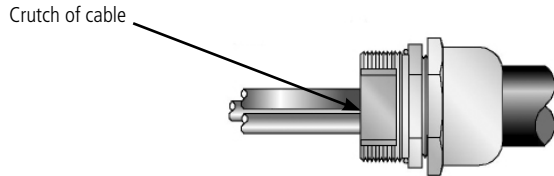
1. Compound
2. Entry Item
3. Compound Tube
4. Spacer
5. "O" Ring
6. Main Item
7. Skid Washer
8. Outer Seal
9. Outer Seal Nut



PLEASE READ ALL INSTRUCTIONS CAREFULLY BEFORE BEGINNING THE INSTALLATION

1. Separate the gland components by removing the main item (6) and outer seal nut assembly (7, 8, 9). Slacken the outer seal nut slightly to relax the seal and pass the main item/outer seal nut assembly over the cable, nut end first.

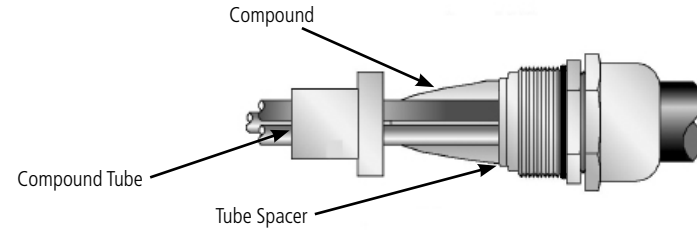
2. Strip the cable sheath by a length to suit the equipment. Position the end of the sheath in line with the main item (6) as shown below and tighten the outer seal nut enough to hold the cable in position.



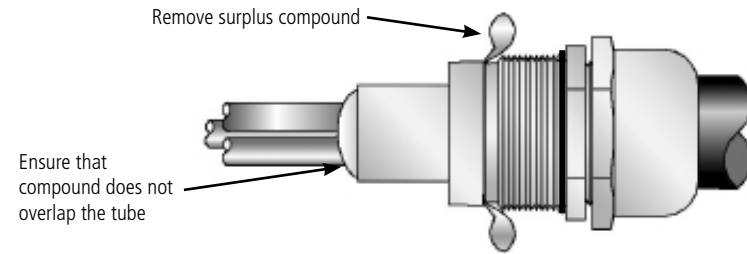
3. Remove any bedding or fillers from around the cable cores. If the cable cores have screens, these should be unravelled and then twisted together to form a single core. Wearing the protective gloves supplied, mix all of the two-part epoxy compound until it is pliable and an even colour is achieved. (Minimum mixing temperature 10°C / 50°F)

4. Fit the tube spacer (4). Separate the cable cores and apply the compound to the crutch of the cable for a distance of about 6mm and pack into place. If a drain wire is present then it should be sleeved using some heat shrink tubing which is pushed into the compound before shrinking with the application of some heat. If screens have been twisted together at stage 3, then they should be treated like a drain wire.

5. Bring the cores together again and pack more compound around them to a length and diameter sufficient to fill the compound tube, ending in a taper.

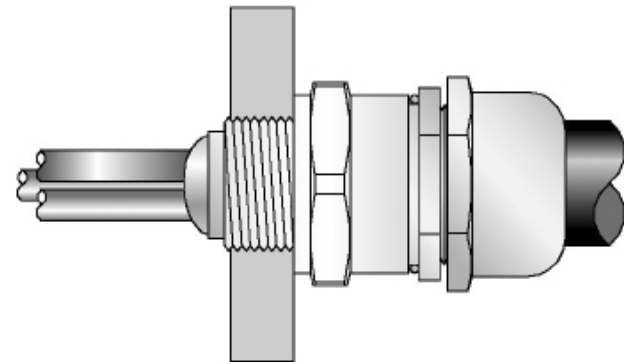


6. Pass the compound tube (3) over the conductors until the stepped end is fully located with the tube spacer (5). Pack more compound into place until the compound tube is fully filled.



7. Slightly slacken the outer seal nut. Re-install the cable assembly into the entry item making sure the compound is not disturbed and fully tighten the main item (6) onto the entry item (2). Tighten the outer seal nut (9) until it comes to an effective stop. This will occur when:

- A) The outer seal nut (9) has clearly engaged the cable and cannot be further tightened without the use of excessive force by the installer.
- B) The outer seal nut (9) is metal to metal with the main item (6).



Do not disturb for at least 24 hours