

**NEW**

## Roxtec End User Inlet

The Roxtec End User Inlet is designed to be used where you install cables such as fiber or hybrid cables in existing buildings (e.g. FTTB/H) and require a high level of protection for equipment. The seal prevents rodents, dust and water from entering the building. Install it in concrete walls/floors where you need a quick, clean and simple installation.

### **The flexible sealing system**

The Roxtec End User Inlet is an easy-to-install plug for existing and

new cables. Like other Roxtec products, it ensures safety, efficiency and operational reliability. Whether you are an owner, designer or installer you can rely on Roxtec solutions, wherever cables run through openings.

### **Quality**

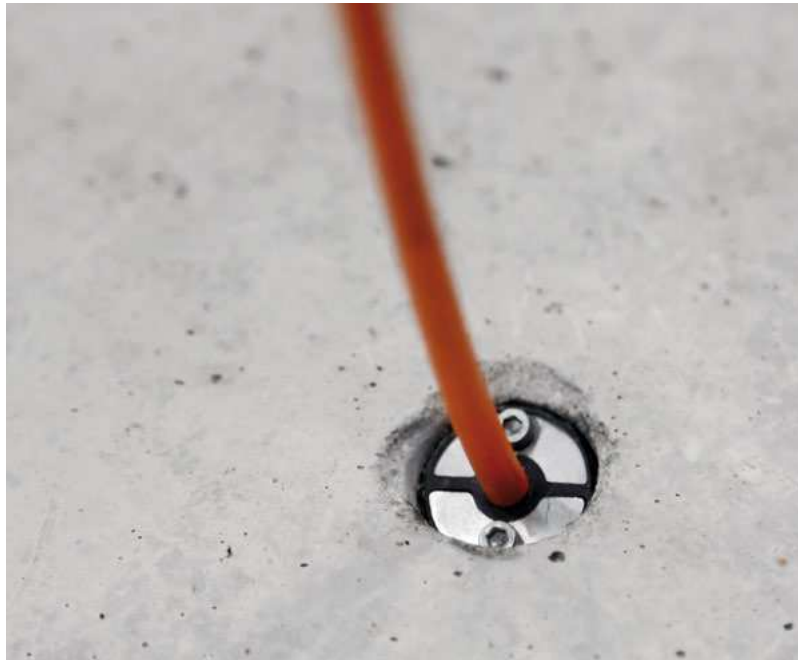
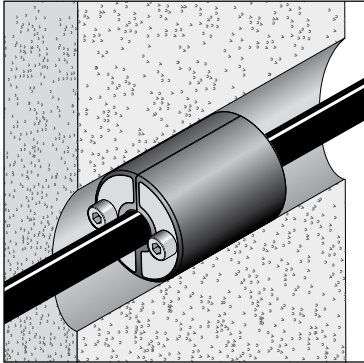
The seal is made of EPDM rubber and stainless steel providing a perfect sealing according to IP 68.

### **Standardize for success**

The standard solution is beneficial for owners who demand long-term operational reliability to protect their investments. It is also perfect for designers who need a smart solution and for installers who want to make a good job easier.

### Function description

The seal is designed to be installed in a drilled hole in brick or concrete wall/floor. The flange can be removed to install in angled holes. Re-installation is possible with existing seals.



### Roptec End User Inlet

Article	Number of cables	For cable Ø		Weight (g)	For hole Ø		Art. No (10-pack)
		(mm)	(inch)		(mm)	(inch)	
EUI 4-6	1	4-6	0.16-0.24	45	25	1	117348
EUI 6-8	1	6-8	0.24-0.32	41	25	1	117349
EUI 8-10	1	8-10	0.32-0.39	70	32	1¼	117350
EUI 10-12	1	10-12	0.39-0.47	68	32	1¼	117351
EUI 12-14	1	12-14	0.47-0.55	63	32	1¼	117352
EUI 14-16	1	14-16	0.55-0.63	60	32	1¼	117353



**THORNE &  
DERRICK  
INTERNATIONAL**

**Thorne & Derrick**  
+44 (0) 191 410 4292  
[www.powerandcables.com](http://www.powerandcables.com)