

**PFISTERER**



LV- AND MV-NETWORKS

# SICON

**The first cable connector system  
with stepless shear bolts.**

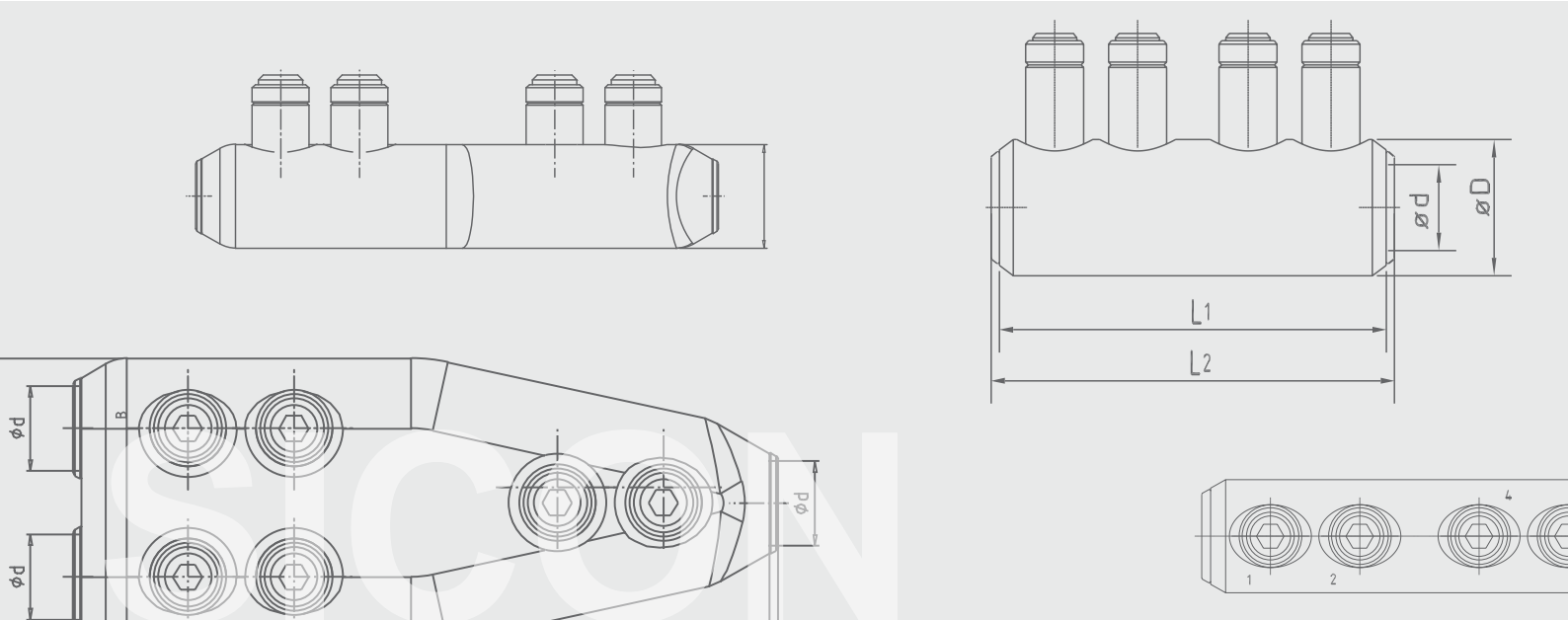


THORNE &  
**DERRICK**  
INTERNATIONAL

Thorne & Derrick  
+44 (0) 191 410 4292  
[www.powerandcables.com](http://www.powerandcables.com)

# THE POWER CONNECTION

CABLE SYSTEMS | COMPONENTS | OVERHEAD LINES | RAILWAY CATENARY SYSTEMS



## The Better is the Enemy of the Good.

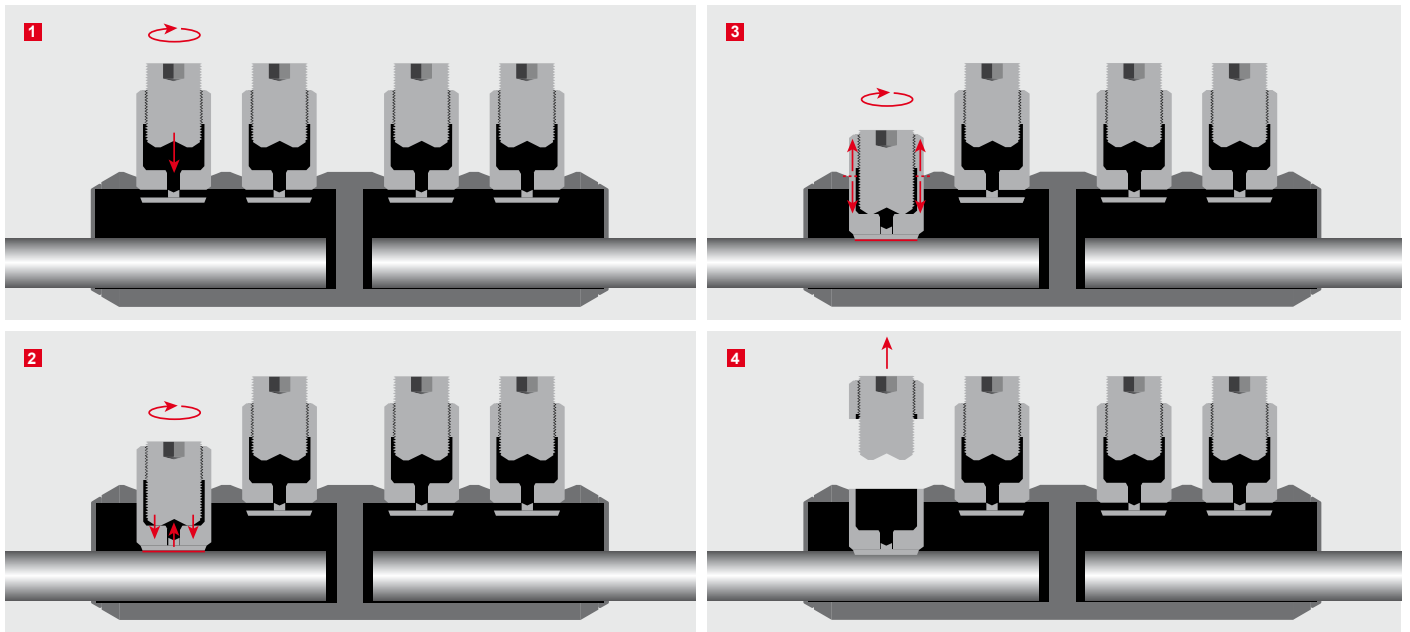
Terminals, connectors and cable lugs using screw technology have been on the advance for years. And with good reason. Bolted connections offer technical and practical advantages that compression connections cannot provide. For instance, a large cross-section range and easy handling. This clamping technology perfectly complements the new multi-range cable accessories. Fitting requires only a simple tool.

**Until now, the “multi-stage shear bolt” has been the state of the art in screw technology.** The design strength of the multi-stage shear bolt - the integral predetermined breaking points - is at the same time its decisive weakness. Each breaking point forms a discontinuity in the load-bearing thread, and the maximum clamping force cannot be achieved. A further disadvantage: The stages must be very accurately matched to the conductor of the cable used - otherwise the bolt will break at the wrong position.

**New from PFISTERER: Stepless shear bolts.** Special design feature: No predetermined breaking points in the thread. This ensures the optimum thread load for any range of cross-sections. The bolt always breaks even with the surface of the clamp body - nothing protrudes, and nothing has to be filed to make the sleeve fit.

### Advantages

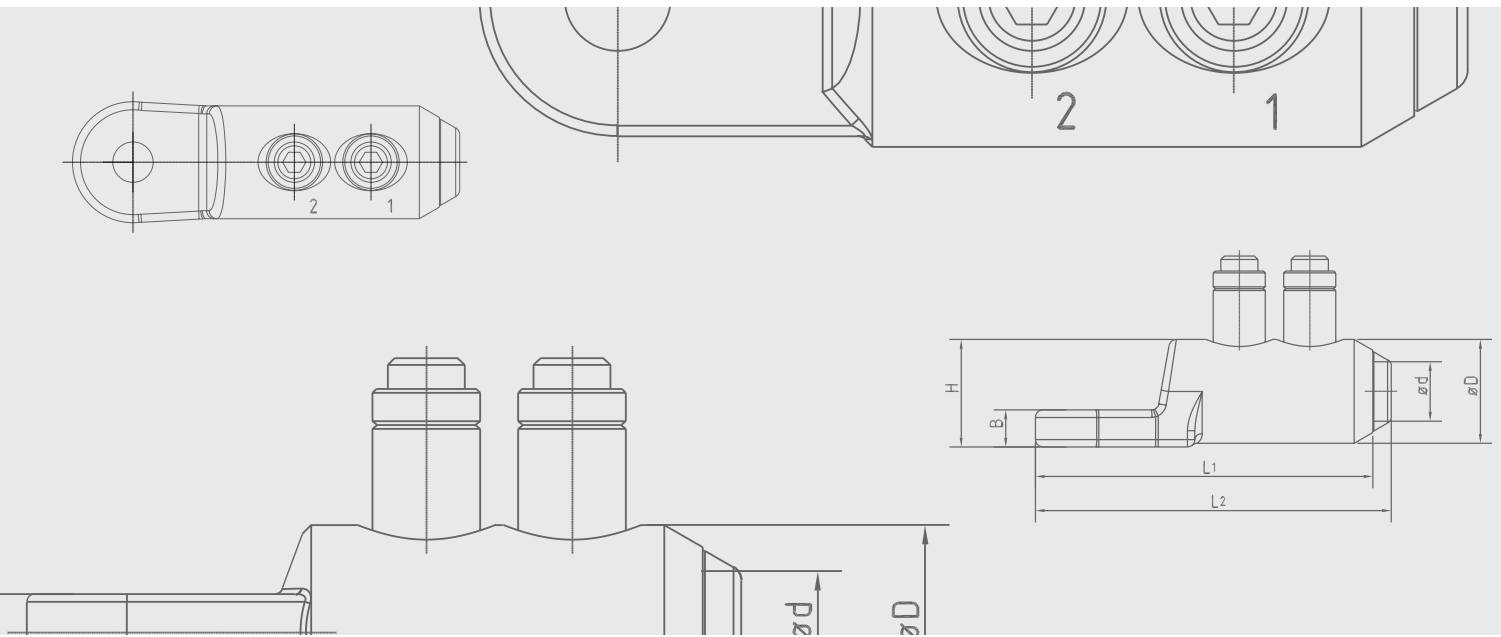
- Up to 30 % increased contact force compared with conventional type terminals
- Bolt base plate for uniform friction and increased contact force
- Nothing protrudes, no need for filing
- Full utilisation of the thread loading for any size of conductor
- No special tool needed
- Smooth breakage of the shear bolt simplifies tightening process
- The remains of the bolt stay on the tool and can be disposed safely
- Suitable for fine-stranded Class 5 cables



## SICON - the first stepless shear bolt.

- 1** A standard hexagon key is used to screw a threaded stud into the hole in the stepless thrust bolt. The force closure is not interrupted by any steps or notches in the bolt.
- 2** As the SICON bolt is screwed in, the pressure plate at the base of the bolt breaks away. The bolt now turns on this plate; unlike with conventional bolts, no tip friction occurs on the conductor. The bolt's torque generates the contact pressure almost independently of the conductor material. This way, significantly higher contact pressures are achieved with aluminium conductors and even fine stranded conductors are not damaged.
- 3** The SICON bolt continues to turn until the shear torque is reached. The thrust bolt is tensioned as it is screwed in and, on reaching the shear torque, it stretches axially and breaks off. Compared with conventional shear bolts, the bolt breaks very smoothly, with virtually no jerking.
- 4** The SICON bolt always breaks even with the surface of the clamp body. This ensures that the minimum possible protrusion is achieved every time irrespective of the size of the conductor to be connected.





## No predetermined breaking points, no weak points.

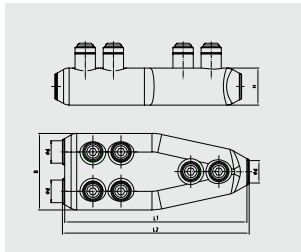
### Technical features

- Large clamping range: 10 - 95 mm<sup>2</sup>;  
25 - 150 mm<sup>2</sup>; 50 - 240 mm<sup>2</sup>; 95 - 300 mm<sup>2</sup>;  
185 - 400 mm<sup>2</sup>; 300 - 630 mm<sup>2</sup>  
(others on request)
- Conductor channels with transverse grooves  
and protection against conductor oxidation
- Blind hole designed as pressure-resistant oil  
barrier for oil cable
- Contact technology type-tested electrically  
and mechanically to IEC 61238-1
- Compact design: rounded edges and  
flat transitions, suitable for slide-on and  
shrink sleeves
- Suitable for aluminium- and copper  
conductors
- Centric cable guide with different  
centring sleeves



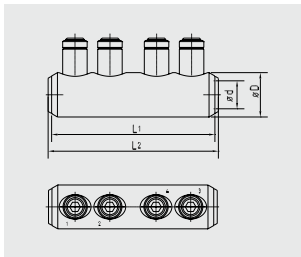
# Technical data.

## Tap connectors



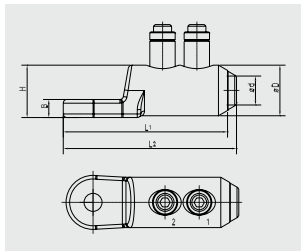
| No.<br>(Al + Cu) | mm <sup>2</sup> | mm <sup>2</sup> | mm <sup>2</sup> | mm <sup>2</sup> | mm <sup>2</sup> | mounting<br>hole | across<br>flats | No. of<br>bolts | L1<br>mm | DØ<br>mm | dØ<br>mm |
|------------------|-----------------|-----------------|-----------------|-----------------|-----------------|------------------|-----------------|-----------------|----------|----------|----------|
| 332 447 010      | 50 – 240        | 50 – 185        | 50 – 185        | 50 – 150        | 50 – 240        | –                | SW 6            | 6               | 162      | 68/33    | 20       |

## Connectors with blind hole



|             |           |           |           |           |           |   |      |   |     |    |      |
|-------------|-----------|-----------|-----------|-----------|-----------|---|------|---|-----|----|------|
| 332 601 010 | 10 – 95   | 10 – 95   | 50 – 95   | 35 – 70   | 10 – 95   | – | SW 5 | 2 | 65  | 24 | 13   |
| 332 607 010 | 25 – 150  | 25 – 150  | 35 – 120  | 35 – 120  | 25 – 150  | – | SW 5 | 2 | 68  | 28 | 16,3 |
| 332 593 010 | 25 – 150  | 25 – 150  | 35 – 120  | 35 – 120  | 25 – 150  | – | SW 5 | 4 | 102 | 28 | 16,3 |
| 332 592 010 | 50 – 240  | 50 – 185  | 50 – 185  | 50 – 150  | 50 – 240  | – | SW 6 | 4 | 126 | 33 | 20   |
| 332 614 010 | 50 – 240  | 50 – 240  | 50 – 240  | 50 – 240  | 50 – 240  | – | SW 6 | 4 | 126 | 35 | 21   |
| 332 602 010 | 95 – 400  | 95 – 300  | 95 – 240  | 95 – 240  | 95 – 300  | – | SW 8 | 4 | 140 | 38 | 24   |
| 332 617 010 | 185 – 500 | 185 – 400 | 185 – 240 | 185 – 240 | 185 – 400 | – | SW 8 | 6 | 170 | 42 | 26   |
| 332 603 010 | 300 – 800 | 300 – 630 | –         | 300 – 400 | 300 – 630 | – | SW 8 | 6 | 230 | 52 | 33,3 |

## Screw cable lugs



|             |           |           |           |           |           |      |      |   |     |    |      |
|-------------|-----------|-----------|-----------|-----------|-----------|------|------|---|-----|----|------|
| 332 604 010 | 10 – 95   | 10 – 95   | 50 – 95   | 35 – 70   | 10 – 95   | 13   | SW 5 | 1 | 70  | 24 | 13   |
| 332 599 010 | 25 – 150  | 25 – 150  | 35 – 120  | 35 – 120  | 25 – 150  | 13   | SW 5 | 2 | 91  | 28 | 16,3 |
| 332 595 010 | 50 – 240  | 50 – 185  | 50 – 185  | 50 – 150  | 50 – 240  | 13   | SW 6 | 2 | 115 | 33 | 20   |
| 332 595 011 | 50 – 240  | 50 – 185  | 50 – 185  | 50 – 150  | 50 – 240  | 16,5 | SW 6 | 2 | 115 | 33 | 20   |
| 332 605 010 | 95 – 400  | 95 – 300  | 95 – 240  | 95 – 240  | 95 – 300  | 13   | SW 8 | 2 | 120 | 38 | 24   |
| 332 605 011 | 95 – 400  | 95 – 300  | 95 – 240  | 95 – 240  | 95 – 300  | 16,5 | SW 8 | 2 | 120 | 38 | 24   |
| 332 625 010 | 185 – 500 | 185 – 400 | 185 – 240 | 185 – 240 | 185 – 400 | 13   | SW 8 | 3 | 138 | 42 | 26   |
| 332 625 011 | 185 – 500 | 185 – 400 | 185 – 240 | 185 – 240 | 185 – 400 | 16,5 | SW 8 | 3 | 138 | 42 | 26   |
| 332 606 010 | 300 – 800 | 300 – 630 | –         | 300 – 400 | 300 – 630 | 16,5 | SW 8 | 3 | 180 | 50 | 33,3 |

Axial bolted cable lugs on request.

## Accessories



|             |                                                                                                                                                                                                                                   |
|-------------|-----------------------------------------------------------------------------------------------------------------------------------------------------------------------------------------------------------------------------------|
| 305 917 001 | Cordless impact screwdriver for trouble-free assembly of screwed connectors and terminal lugs, comes with replacement battery, charger, tool set (Allen nut SW 5, SW 6, SW 8, load-carrying nut SW 8, SW 10, SW 13, SW 16, SW 19) |
| 305 917 106 | Replacement hex socket for the cordless impact screwdriver 1/2", SW 6 bit length 9 mm                                                                                                                                             |
| 305 917 107 | Replacement hex socket for the cordless impact screwdriver 1/2", SW 6 bit length 19 mm                                                                                                                                            |



|             |                                 |
|-------------|---------------------------------|
| 331 901 900 | Holding arm for screw connector |
|-------------|---------------------------------|

Subject to change as required by technical progress. Other designs available on request.

# PFISTERER worldwide

**PFISTERER**  
**Kontaktsysteme GmbH & Co. KG**  
Bahnhofstraße 30  
89547 Gerstetten-Gussenstadt  
**Alemania**  
Teléfono +49 (0)73 23 / 83 - 0  
Telefax +49 (0) (0)73 23 / 83 - 603  
E-Mail dialog@pfisterer.de

**PFISTERER S.A.**  
Av. Velez Sarsfield 464  
C1282AFR Buenos Aires  
**Argentina**  
Telephone +54 (0) 11 4306 3595  
Fax +54 (0) 11 4362 2381  
E-Mail pfisterer@pfisterer.com.ar

**PFISTERER Ges.m.b.H.**  
Augasse 17  
1090 Vienna  
**Austria**  
Telephone +43 (0) 1 3176531 0  
Fax +43 (0) 1 3176531 12  
E-Mail info@pfisterer.at

**PFISTERER**  
**Sales office**  
Unit 520, Landmark Tower 2  
8 North Dongsanhuan Road  
Chaoyang District  
Beijing 100004  
**China**  
Telephone. +86 10 6590 6272  
Fax +86 10 6590 6105  
E-Mail info.cn@pfisterer.com

**PFISTERER**  
**Sales office**  
Room 2606, 26/ F., Paul Y. Centre  
51 Hung To Road  
Kwun Tong, Kowloon  
**Hongkong, China**  
Tel. +852 2687 2826  
Fax +852 2688 0663  
E-Mail info.hk@pfisterer.com

**PFISTERER**  
**Sales Office**  
17. listopadu č.p. 342  
Zelené Předměstí  
530 02 Pardubice  
**Czech Republic**  
Telephone +420 (0) 466 657490  
Fax +420 (0) 466 613581  
E-Mail dialog@pfisterer.cz

**PFISTERER Sàrl.**  
35 avenue d'Italie  
BP 10045  
68311 Illzach Cedex  
**France**  
Telephone +33 (0) 389 319029  
Fax +33 (0) 389 319028  
E-Mail info@pfisterer.fr

**PFISTERER Kereskedelmi Kft.**  
Gyarmat u. 67/ C  
1147 Budapest  
**Hungary**  
Telephone +36 (0) 1 2513441  
Fax +36 (0) 1 2511713  
E-Mail office@pfisterer.hu

**PFISTERER Sp. z o.o.**  
Ul. Poznanska 258  
05-850 Ozarów Mazowiecki  
**Poland**  
Telephone +48 (0) 22 72241 68  
Fax +48 (0) 22 72127 81  
E-Mail info@pfisterer.pl

**PFISTERER AB**  
Flygfältsgatan 2  
12822 Skarpnäck  
**Sweden**  
Telephone +46 (0) 8 7240 150  
Fax +46 (0) 8 6054 750  
E-Mail info.se@pfisterer.com

**PFISTERER company**  
**Sales office**  
132 Tanjong Rhu Road  
03 - 12 Pebble Bay  
Singapore 436919  
**Singapore**  
Telephone +65 6346 4042  
Fax +65 6346 7110  
E-Mail info@pfisterer.sg

**PFISTERER (Pty.) Ltd.**  
9 Willowton Road  
Pietermaritzburg 3201  
**South Africa**  
Telephone +27 (0) 33 397 5400  
Fax +27 (0) 33 387 6377  
E-Mail info@pfisterer.co.za

**PFISTERER UPRESA S.A.U.**  
Calle Industria 90-92  
08025 Barcelona  
**Spain**  
Telephone +34 (0) 93 4367409  
Fax +34 (0) 93 4367701  
pfisterer.upresa@pfistererupresa.eu

**PFISTERER SEFAG AG**  
Werkstraße 7  
6102 Malters, Luzern  
**Switzerland**  
Telephone +41 (0) 41 4997 272  
Fax +41 (0) 41 4972 269  
E-Mail connect@sefag.ch

**PFISTERER INTERNATIONAL AG**  
Werkstraße 7  
6102 Malters, Luzern  
**Switzerland**  
Telephone +41 (0) 41 4997 474  
Fax +41 (0) 41 4973 473  
E-Mail export@sefag.ch

**PFISTERER INTERNATIONAL AG**  
**Sales office**  
PO Box 184090  
Gate 7, Floor 3  
Hamarain Center  
Dubai  
**United Arab Emirates**  
Telephone +971 4 2690147  
Fax +971 4 2690148  
E-Mail info@pfisterer.ae

**PFISTERER Ltd.**  
29 Pillings Road  
Oakham LE15 6QF  
**United Kingdom**  
Telephone +44 (0) 15 7277 1300  
Fax +44 (0) 15 7277 1269  
E-Mail info.uk@pfisterer.com



**THORNE &  
DERRICK  
INTERNATIONAL**

**Thorne & Derrick**  
+44 (0) 191 410 4292  
www.powerandcables.com