

SICON connector 185-400 mm² with blind hole

The special design of SICON bolts means that there are no fixed predetermined break points in the thread. Instead the bolt always breaks reliably at the surface of the clamp body.

- Nothing protrudes from the clamp body
- Full use of the thread load rating for any conductor cross section
- No special tools needed
- Smooth breakage of the shear bolt simplifies tightening



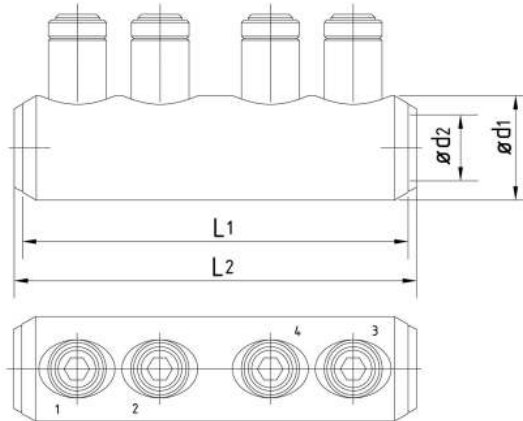
Picture may vary.

Technical Data

Article no.	332 617 010	
Conductor cross section Al solid circular	(mm ²)	185 - 500
Conductor cross section Al stranded circular	(mm ²)	185 - 400
Conductor cross section Al stranded circular compressed	(mm ²)	185 - 400
Conductor cross section Al solid sector-shaped	(mm ²)	185 - 240
Conductor cross section Al stranded sector-shaped	(mm ²)	185 - 240
Conductor cross section Cu solid circular	(mm ²)	185 - 500
Conductor cross section Cu stranded circular	(mm ²)	185 - 400
Conductor cross section Cu stranded circular compressed	(mm ²)	185 - 400
Conductor cross section Cu stranded sector-shaped	(mm ²)	185 - 240
Stripping length with centring sleeve	(mm)	91
Stripping length without centring sleeve	(mm)	88
Number of screws		6
Width across flats		SW 8

Dimensions

Diameter D1	Ø d1 (mm)	42
Diameter D2	Ø d2 (mm)	26
Dimension L1	L ₁ (mm)	170
Dimension L2	L ₂ (mm)	176



THORNE &
DERRICK
INTERNATIONAL

Thorne & Derrick
+44 (0) 191 410 4292
www.powerandcables.com