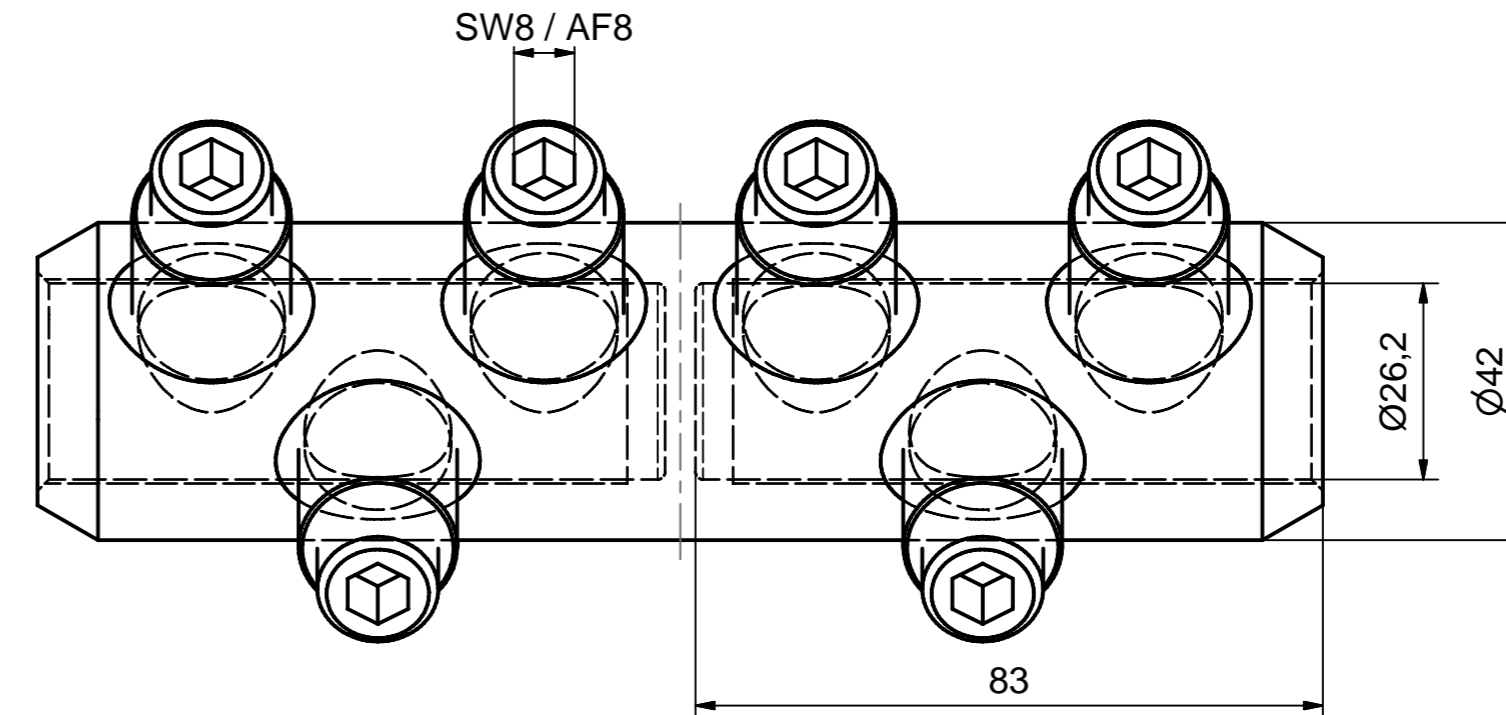
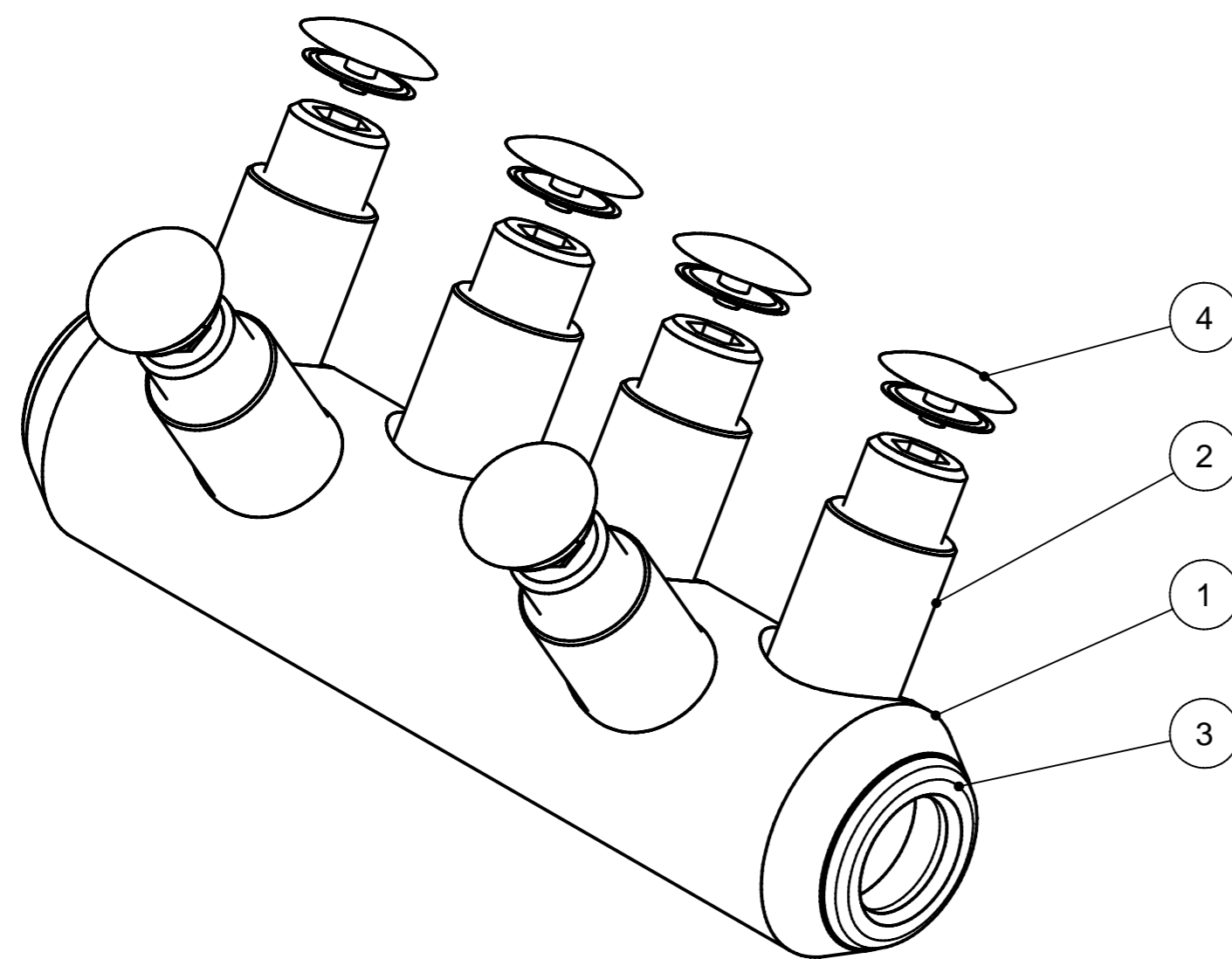
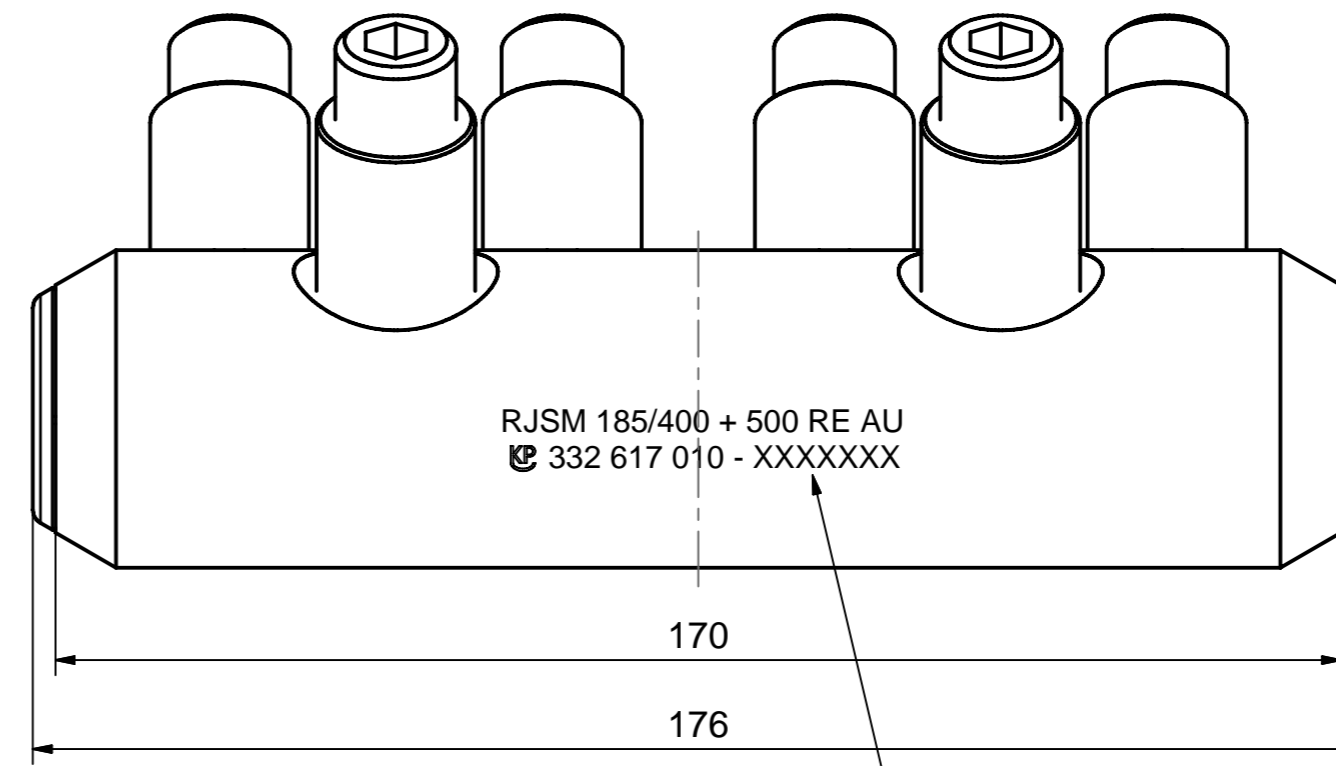
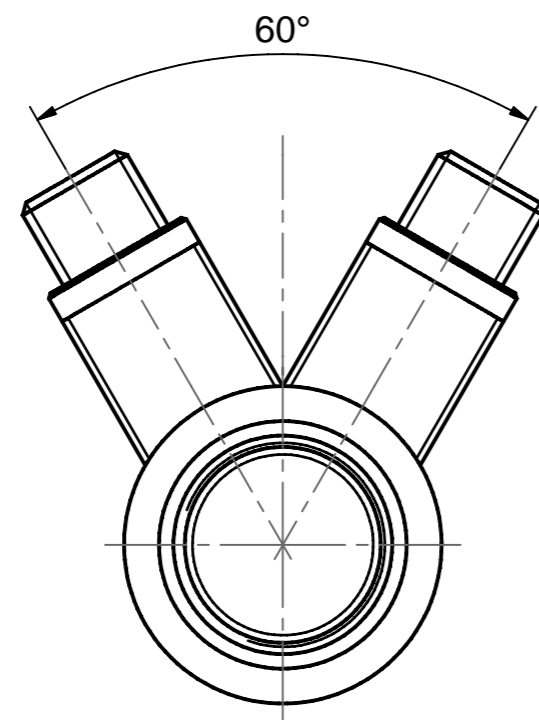


The reproduction, distribution and utilization of this document as well as the communication of its contents to others without explicit authorization is prohibited. Offenders will be held liable for the payment of damages. All rights reserved in the event of the grant of a patent, utility model or design. © Pfisterer




THORNE & DERRICK
 INTERNATIONAL
Thorne & Derrick
 +44 (0) 191 410 4292
 www.powerandcables.com

| Leiterart / Conductor type | Aluleiter / Aluminium conductor | Kupferleiter / Copper conductor |
|--|---|---|
| SM 120° / sector stranded 120° | 185 (240 rundgedrückt / pressed round) | 185 (240 rundgedrückt / pressed round) |
| SE 120° / sector solid 120° | 185 - 240 | |
| SM 90° / sector stranded 90° | 185 - 240 | 185 - 240 |
| SE 90° / sector solid 90° | 185 - 240 | |
| RE / round solid | 185 - 500 | 185 - 500 |
| RMV / round stranded and compressed | 185 - 400 | 185 - 400 |
| RM / round stranded | 185 - 400 | 185 - 400 |
| Leiterarten nach DIN EN 60228 - 09/2005 / conductor type according to DIN EN 60228 - 09/2005 | Querschnittsbereich Aluleiter / cross section aluminium conductor | Querschnittsbereich Kupferleiter / cross section copper conductor |

| OBJEKT | | ANZAHL | BEZEICHNUNG |
|------------------------------|---|--------------------------------|--|
| 1 | 1 | | Körper Schraubverbinder 185-400 + 500 mm ² RE, verzinkt / body inline connector 185-400 + 500 sqmm RE, tinned |
| 2 | 6 | | SICON-Schraube M21x1,5, blank / SICON-screw M21x1,5, uncoated |
| 3 | 2 | | Zentrierhülse weiss 185-240 mm ² / centring ring white 185-240 sqmm |
| 4 | 6 | | Kunststoffabdeckung für SICON-Schraube M21x1,5 / covering cap for SICON-screw M21x1,5 |
| Maßstab / scale | | Gewicht ca. / weight ca. (g) | |
| 1:1 | | 800 | |
| Erstellt von / created by | | | Beschreibung / title |
| Leissner | | | Schraubverbinder 185-400 + 500 mm ² RE Al/Cu |
| Datum / date | | | SICON, Trennsteg, zentrisch |
| 2007-11-22 | | | Inline connector 185-400 + 500 sqmm RE Al/Cu SC750 |
| Geprüft von / approved by | | | SICON, with oil stop, central |
| Frank | | | |
| Datum / date | | | |
| 2008-06-18 | | | |
| Ersatz für / replacement for | | Dokumentart / type of document | Datenname / filename |
| | | Für Kunden | S03-130716 |
| And.n.r. / rev. no. | | And.datum / date of issue | Format / size |
| 20130435 | | 2013-08-26 | A2 |
| Name / name | | Index / rev. | Blatt / sh. |
| Leissner | | 05 | 1/1 |
| Dokumentnr. / document no. | | 332617010A | |

PFISTERER
 Kontaktsysteme GmbH