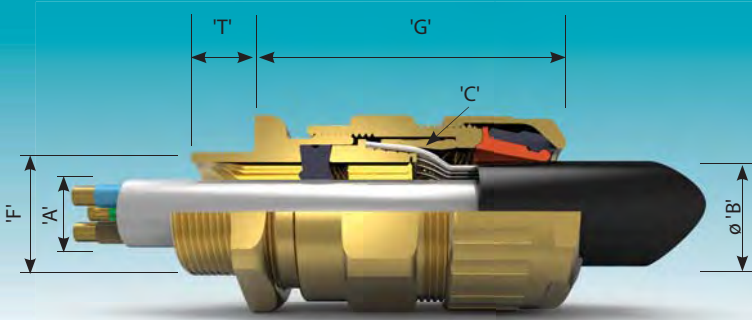


Flameproof, Increased Safety, Dust Protection
Class - Zones - Divisions
Certified ATEX / IECEx / c CSA us



Application

- Outdoor or indoor use.
- For use with single wire armour 'W', wire braid 'X', steel tape armour 'Z', elastomer and plastic insulated cables.
- See technical section for installation rules and regulations.



CABLE GLAND SELECTION TABLE

| Size Ref. | Entry Thread Size 'F' | | Cable Acceptance Details | | | | | | | | 'G' | Hexagon Dimensions | |
|-----------|-----------------------|----------------------------|--------------------------|--------------------------|----------------------|------|------------------|-------|--------------------|---------------|------|--------------------|----------------|
| | Metric | "NPT * Standard or Option" | Inner Sheath 'A' | | | | Outer Sheath 'B' | | Armour / Braid 'C' | | | Across Flats | Across Corners |
| | | | Standard Seal | | Alternative Seal (S) | | | | Orientation 1 | Orientation 2 | | | |
| | | | Min. | Max. | Min. | Max. | Min. | Max. | | | | | |
| Os | M20 ² | ½" | 3.2 | 8.0 | - | - | 5.5 | 12.0 | 0.8 / 1.25 | 0.0 / 0.8 | 52.0 | 24.0 | 26.5 |
| O | M20 ² | ½" | 6.5 | 11.9 | - | - | 9.5 | 16.0 | 0.8 / 1.25 | 0.0 / 0.8 | 52.0 | 24.0 | 26.5 |
| A | M20 | ¾" or ½" | 10.0 | 14.3 | 9.0 | 13.4 | 12.5 | 20.5 | 0.8 / 1.25 | 0.0 / 0.8 | 53.0 | 30.0 | 32.5 |
| B | M25 | 1" or ¾" | 13.0 | 20.2 | 9.5 | 15.4 | 16.9 | 26.0 | 1.25 / 1.6 | 0.0 / 0.7 | 59.5 | 36.0 | 39.5 |
| C | M32 | 1¼" or 1" | 19.5 | 26.5 | 15.5 | 21.2 | 22.0 | 33.0 | 1.6 / 2.0 | 0.0 / 0.7 | 64.0 | 46.0 | 50.5 |
| C2 | M40 | 1½" or 1¼" | 25.0 | 32.5 | 22.0 | 28.0 | 28.0 | 41.0 | 1.6 / 2.0 | 0.0 / 0.7 | 68.3 | 55.0 | 60.6 |
| D | M50 | 2" or 1½" | 31.5 | 44.4 / 42.3 ¹ | 27.5 | 34.8 | 36.0 | 52.6 | 1.8 / 2.5 | 0.0 / 1.0 | 79.0 | 65.0 | 70.8 |
| E | M63 | 2½" or 2" | 42.5 | 56.3 / 54.3 ¹ | 39.0 | 46.5 | 46.0 | 65.3 | 1.8 / 2.5 | 0.0 / 1.0 | 78.4 | 80.0 | 88.0 |
| F | M75 | 3" or 2½" | 54.5 | 68.2 / 65.3 ¹ | 49.5 | 58.3 | 57.0 | 78.0 | 1.8 / 2.5 | 0.0 / 1.0 | 83.7 | 95.0 | 104.0 |
| G | M80 | 3½" | 67.0 | 73.0 | - | - | 75.0 | 89.5 | 2.0 / 3.5 | 0.0 / 1.0 | 95.6 | 106.4 | 115.0 |
| H | M90 | 3½" | 67.0 | 77.6 | - | - | 75.0 | 89.5 | 2.0 / 3.5 | 0.0 / 1.0 | 95.6 | 115.0 | 130.0 |
| J | M100 | 4" | 75.0 | 91.6 | - | - | 88.0 | 104.5 | 2.5 / 4.0 | 0.0 / 1.0 | 95.6 | 127.0 | 142.0 |

¹T — Os - F size metric entry threads are 1.5mm pitch as standard, 15mm length of thread. For G size glands and above, a 2mm pitch is supplied as standard, 20mm length of thread (1.5mm pitch with 15mm length of thread can be supplied) please specify when ordering.
All dimensions in millimetres (except * where dimensions are in inches).

¹ Smaller value is applicable when selecting reduced NPT entry option.

² Sizes Os and O are available with an M16 thread size. For O size with M16 thread, the maximum cable inner sheath diameter is 10.9mm.

Technical Data

ATEX/IECEx

- Flameproof Exd IIC Gb, Increased Safety Exe IIC Gb and Dust Extb IIIC Db Ex II 2 GD.
- Certificate No's: Baseefa06ATEX0056X and IECEx BAS 06.0013X. Suitable for use in Zone 1, Zone 2, Zone 21, Zone 22 and in Gas Groups IIA, IIB and IIC.
- Construction and Test Standards: IEC/EN 60079-0, IEC/EN 60079-1, IEC/EN 60079-7 and IEC/EN 60079-31.
- Ingress Protection: IP66, IP67 and IP 68* (30 metres for 7 days) to IEC/EN 60529 and NEMA 4X.
- Deluge Protection to DTS01. (Deluge Seal Optional)
- Operating Temperature Range: -60°C to +100°C.
- Assembly Instruction Sheet: AI 302.

c CSA us

- Flameproof AExd IIC Gb, Increased Safety AExe IIC Gb and Dust AExtD Zone 21.
- Explosion-proof Class 1 Division 2 Groups ABCD, Class II Division 2 Groups EFG, Class III.
- Certificate No's: CSA1015065 for Marine Shipboard Cable.

- Construction and Test Standards: UL 60079-0, UL 60079-1, UL 60079-7, ISA 60079-31, CSA 22.2 No: 60079-0, CSA 22.2 No: 60079-1, CSA 22.2 No: 60079-7, CSA 22.2 No: 60079-31, UL 2225

Features

- Provides armour clamping using one clamping arrangement for all armour / braid types.
- Provides a seal on the cables inner sheath.
- Provides a cable retention and low smoke and fume, zero halogen seal onto the cables outer sheath.
- Manufactured in Brass (standard), Nickel Plated Brass, 316 Stainless Steel or Aluminium.
- Brass NPT entries are nickel plated as standard.

Alternative Reversible Armour Clamping Rings (RAC)

SELECTION TABLE

| Size Ref. | Steel Wire Armour / Braid / Tape | |
|-----------|----------------------------------|---------------|
| | Orientation 1 | Orientation 2 |
| B | 0.9 - 1.25 | 0.5 - 0.9 |
| C | 1.2 - 1.6 | 0.6 - 1.2 |
| C2 | 1.2 - 1.6 | 0.6 - 1.2 |
| D | 1.45 - 1.8 | 1.0 - 1.45 |
| E | 1.45 - 1.8 | 1.0 - 1.45 |
| F | 1.45 - 1.8 | 1.0 - 1.45 |

Ordering Information

Format for ordering is as follows:
Alternative Clamping Ring (AR), add suffix AR to ordering information. Alternative Seal (S), add suffix S to ordering information.

| Cable Gland Type | Size | Thread | Material | (Optional) |
|------------------|------|----------|----------|------------|
| 501/453/RAC | C | M32 | Brass | AR |
| 501/453/RAC | C | 1 ¼" NPT | Brass | AR |
| 501/453/RAC | C | M32 | Brass | S |
| 501/453/RAC | C | 1 ¼" NPT | Brass | S |

Alternative certification options available:

