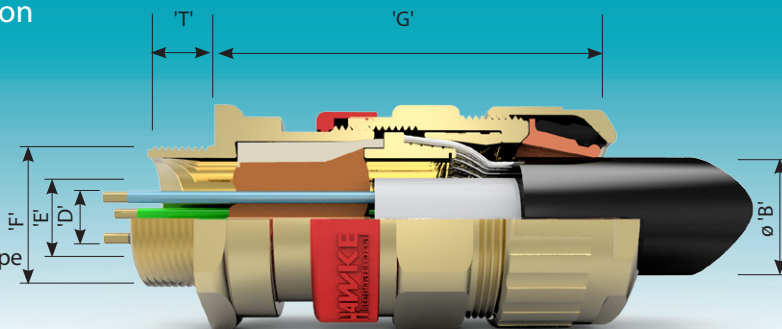


Group II Cable Glands

Flameproof, Increased Safety, Dust Protection
Class - Zones - Divisions
Certified ATEX / IECEx / c CSA us

Application

- Outdoor or indoor use.
- For use with single wire armour 'W', wire braid 'X', steel tape armour 'Z', elastomer and plastic insulated cables.
- For particular use with-
 - Cable inner sheaths that are not effectively filled, compact and/or circular, have tape bedding or have hygroscopic fillers.
 - Cables that exhibit 'Cold Flow' characteristics.
 - Enclosures containing an ignition source in gas group IIC areas or containing an ignition source in a Zone 1 area.
- See technical section for installation rules and regulations.



ICG 653/UNIV

CABLE GLAND SELECTION TABLE

Size Ref.	Entry Thread Size 'F'		Cable Acceptance Details								'G'	Hexagon Dimensions	
			Inner Sheath / Cores				Outer Sheath 'B'		Armour / Braid 'C'			Across Flats	Across Corners
	Metric	NPT * Standard or Option	Max. Over Cores 'D'	Max Inner Sheath 'E'	NOTE 1 Max. No. of Cores	NOTE 2 Max. No. of Cores	Min	Max	Orientation 1	Orientation 2			
Os	M20	1/2"	8.9	10.0	12	6	5.5	12.0	0.8 / 1.25	0.0 / 0.8	67.0	24.0	26.5
O	M20	1/2"	8.9	10.0	12	6	9.5	16.0	0.8 / 1.25	0.0 / 0.8	67.0	24.0	26.5
A	M20	3/4" or 1/2"	11.0	12.5	15	10	12.5	20.5	0.8 / 1.25	0.0 / 0.8	67.0	30.0	32.5
B	M25	1" or 3/4"	16.2	18.4	30	21	16.9	26.0	1.25 / 1.6	0.0 / 0.7	73.6	36.0	39.5
C	M32	1 1/4" or 1"	21.9	24.7	42	42	22.0	33.0	1.6 / 2.0	0.0 / 0.7	78.0	46.0	50.5
C2	M40	1 1/2" or 1 1/4"	26.3	29.7	60	60	28.0	41.0	1.6 / 2.0	0.0 / 0.7	82.4	55.0	60.6
D	M50	2" or 1 1/2"	37.1	41.7	80	80	36.0	52.6	1.8 / 2.5	0.0 / 1.0	88.7	65.0	70.8
E	M63	2 1/2" or 2"	47.8	53.5	100	100	46.0	65.3	1.8 / 2.5	0.0 / 1.0	92.7	80.0	88.0
F	M75	3" or 2 1/2"	59.0	66.2 / 65.3 ¹	120	120	57.0	78.0	1.8 / 2.5	0.0 / 1.0	99.4	95.0	104.0

'T' — Metric entry threads are 1.5mm pitch as standard, 15mm length of thread. All dimensions in millimetres (except * where dimensions are in inches).
Note 1: ATEX / IECEx certification only - Note 2: All other certification.

¹ Smaller value is applicable when selecting reduced NPT entry option. Note: Larger sizes are available.

Technical Data

ATEX/IECEx

- Flameproof Exd IIC Gb, Increased Safety Exe IIC Gb, Dust Extb IIIC Db and ExnR IIC Gc $\text{Ex} \text{ II } 2 / 3\text{GD}$.
- Certificate No's: Baseefa06ATEX0058X and IECEx BAS 06.0015X.
- Suitable for use in Zone 1, Zone 2, Zone 21, Zone 22 and in Gas Groups IIA, IIB and IIC.
- Construction and Test Standards: IEC/EN 60079-0, IEC/EN 60079-1, IEC/EN 60079-7 and IEC/EN 60079-31.
- Ingress Protection: IP66, IP67 and IP 68* (30 metres for 7 days) to IEC/EN 60529 and NEMA 4X.
- Deluge Protection to DTS01.
- Operating Temperature Range: -60°C to +80°C.
- Assembly Instruction Sheet: AI 301

c CSA us

- Flameproof AExd IIC Gb, Increased Safety AExe IIC Gb and Dust AExtD Zone 21.
- Explosion-proof Class 1 Division 2 Groups ABCD, Class II Division 2 Groups EFG, Class III.
- Certificate No's: CSA1015065 for Marine Shipboard Cable.
- Construction and Test Standards: UL 60079-0, UL 60079-1, UL 60079-7, ISA 60079-31, CSA 22.2 No: 60079-0, CSA 22.2 No: 60079-1, CSA 22.2 No: 60079-7, CSA 22.2 No: 60079-31, UL 2225

Features

- Provides an inspectable, repairable barrier seal to the individual insulated cores within the cable, and prevents entry of the products of an explosion into the cable.
- Provides armour clamping, using one clamping arrangement for all armour / braid types.
- Provides an outer deluge seal to prevent moisture ingress to the cable armour / braid.
- Provides a cable retention and low smoke and fume, zero halogen seal onto the cables outer sheath.
- Manufactured in Brass (standard), Nickel Plated Brass, 316 Stainless Steel or Aluminium.
- Brass NPT entries are nickel plated as standard.

Ordering Information

Format for ordering is as follows: Alternative Seal (AR), add suffix AR to ordering information.

Cable Gland Type	Size	Thread	Material	(Optional)
ICG 653/UNIV	C	M32	Brass	AR
ICG 653/UNIV	C	1 1/4" NPT	Brass	AR

Two part sealing compound and assembly instructions are supplied with the cable gland.

Alternative Reversible Armour Clamping Rings (RAC)

Size Ref.	Steel Wire Armour / Braid / Tape	
	Orientation 1	Orientation 2
B	0.9 - 1.25	0.5 - 0.9
C	1.2 - 1.6	0.6 - 1.2
C2	1.2 - 1.6	0.6 - 1.2
D	1.45 - 1.8	1.0 - 1.45
E	1.45 - 1.8	1.0 - 1.45
F	1.45 - 1.8	1.0 - 1.45

