

### APPLICATION

Separable coupling connector (bolted type) for dual cable arrangement. It has been designed to be used with 430TB separable tee connector.

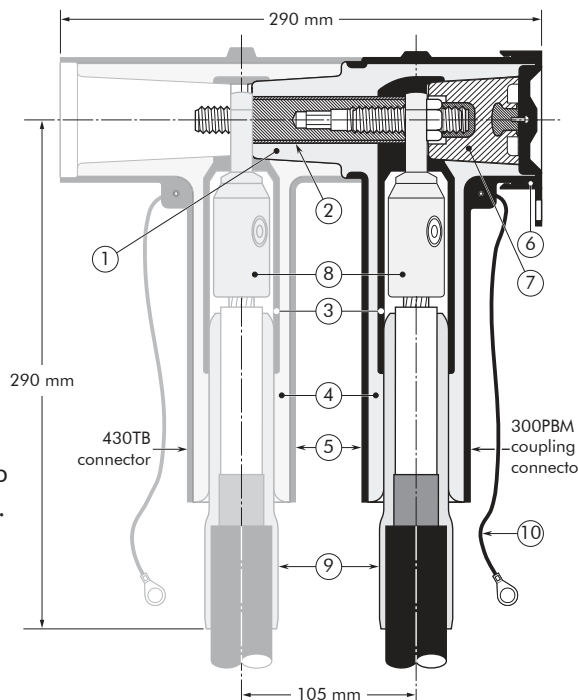
### TECHNICAL CHARACTERISTICS

- A thick conductive EPDM jacket provides a total safe to touch screen.
- Each separable connector is tested for AC withstand and partial discharge prior to leaving the factory.



### DESIGN

1. Interface designed to fit 430TB connector.
2. Bus for 300PBM.
3. Conductive EPDM insert.
4. Insulating EPDM layer moulded between the insert and the jacket.
5. Conductive EPDM jacket.
6. Conductive EPDM cap.
7. Basic insulating plug (with VD point).
8. Conductor connector (hexagonal crimping, deep indent crimping or bolted).
9. Cable reducer.
10. Earthing lead.



6/10 (12) kV  
 6.35/11 (12) kV  
 8.7/15 (17.5) kV  
 12/20 (24) kV  
 12.7/22 (24) kV  
 18/30 (36) kV  
 19/33 (36) kV

**Up to 36 kV**  
**800 A**

**EUROMOLD®**

The screen break design enables cable outer sheath testing without removing or dismantling the connector.

### SPECIFICATIONS AND STANDARDS

The 300PBM coupling connector meets the requirements of CENELEC HD 629.1.

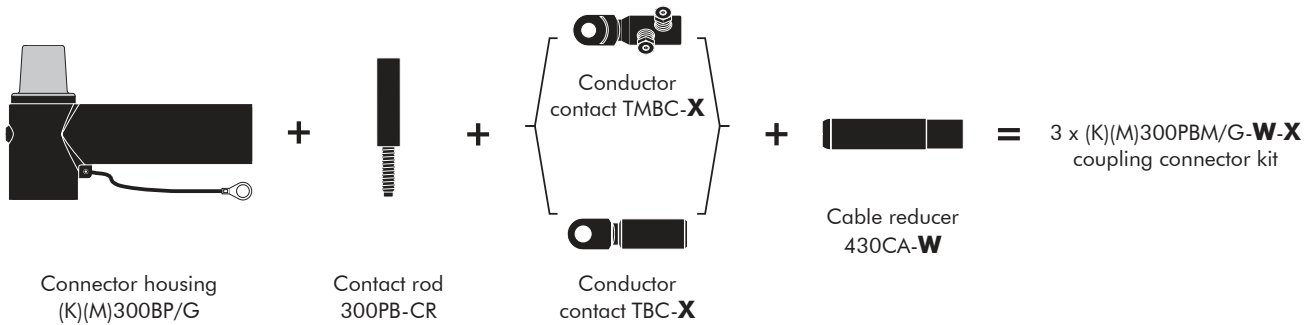
Separable connector type	Voltage $U_m$ (kV)	Current $I_r$ (A)	Conductor sizes (mm <sup>2</sup> )	
			min	max
300PBM/G	12	800	35	300
K300PBM/G	24	800	35	300
M300PBM/G	36	800	50	240

05/2017

## KIT CONTENTS

The complete (K)(M)300PBM/G coupling connector kit comprises 3x the following components:

The kit also comprises silicone grease, field control mastic, installation rod, installation instructions and crimp chart.



## ORDERING INSTRUCTIONS

To order the coupling connector, select the ordering part number which gives you the best centring of your core insulation diameter and substitute **X** using table X, according to your conductor size and type. Add a 'K' for use up to 24 kV, add an 'M' for use up to 36 kV.

### EXAMPLE:

The cable is 24 kV, 150 mm<sup>2</sup> compact stranded copper with a diameter over core insulation of 27.5 mm. Order 3 x K300PBM/G-18-95.240-14-5 coupling connector kit.

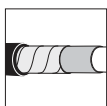
TABLE W

Ordering part number	Dia. over core insulation (mm)	
	min	max
3 x 300PBM/G-11-X	12.0	17.5
3 x 300PBM/G-16-X	17.0	23.5
3 x 300PBM/G-18-X	19.0	28.0
3 x 300PBM/G-22-X	23.5	32.0
3 x 300PBM/G-27-X	28.5	37.5
3 x 300PBM/G-30-X*	36.0	40.5

\* will include an adapted installation instruction

TABLE X

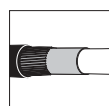
Conductor sizes (mm <sup>2</sup> )	Aluminium conductor		Aluminium and copper conductor	Copper conductor
	DIN hexagonal	Deep indent	Bolted	DIN hexagonal
35	35(K)M-10-2	35KM-10-1	16.95-14-5 50.150-14-5 95.240-14-5 120.300-14-5	35(K)M-11-2
50	50(K)M-10-2	50(K)M-10-1		50(K)M-11-2
70	70(K)M-10-2	70(K)M-10-1		70(K)M-11-2
95	95(K)M-10-2	95(K)M-10-1		95(K)M-11-2
120	120(K)M-10-2	120(K)M-10-1		120(K)M-11-2
150	150(K)M-10-2	150(K)M-10-1		150(K)M-11-2
185	185(K)M-10-2	185(K)M-10-1		185(K)M-11-2
240	240(K)M-10-2	240(K)M-10-1		240(K)M-11-2
300	300(K)M-10-2	-		300(K)M-11-2



For use with copper tape screened cables. Order: Kit MT.



For use in potentially explosive atmospheres (for 12 kV max). Add -/ATEX to part number.



For use with copper wire screened cables. No earthing device is necessary.



For use with other cable types. Please contact our representative.



For outdoor applications. Order: +MWS.



This product can also be installed using a 411 CA. Please contact our representative.