

## APPLICATION

Separable coupling connector for dual cable arrangement. It has been designed to be used with 480TB, 484TB and 489TB separable tee connectors. Can also be installed on any 8-series coupling connector for a multiple cable arrangement.

## TECHNICAL CHARACTERISTICS

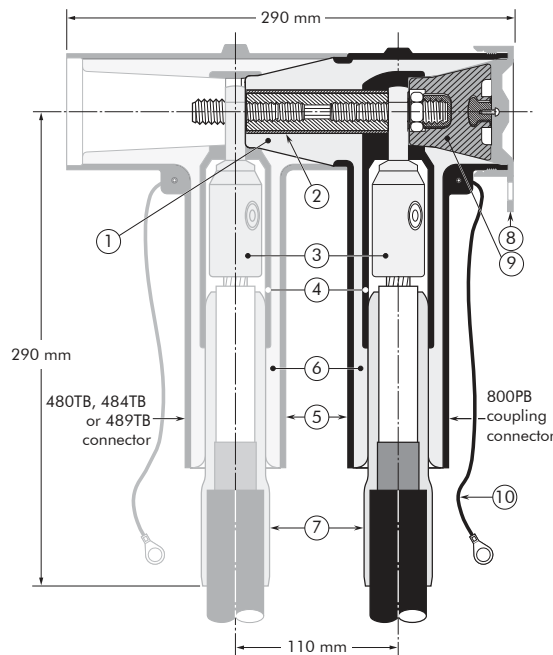
- A thick conductive EPDM jacket provides a total safe to touch screen.
- Each separable connector is tested for AC withstand and partial discharge prior to leaving the factory.



## DESIGN

1. Interface designed to fit 480TB, 484TB and 489TB connectors.
2. Contact rod.
3. Conductor contact.
4. Conductive EPDM insert.
5. Conductive EPDM jacket.
6. Insulating EPDM layer moulded between the insert and the jacket.
7. Cable reducer.
8. Conductive EPDM cap.
9. Basic insulating plug (with VD point).
10. Earthing lead.

The screen break design enables cable outer sheath testing without removing or dismantling the connector.



6/10 (12) kV  
6.35/11 (12) kV  
8.7/15 (17.5) kV  
12/20 (24) kV  
12.7/22 (24) kV  
18/30 (36) kV  
19/33 (36) kV  
20.8/36 (42) kV

**Up to 42 kV**  
**630A - 1250 A**

**EUROMOLD®**

## SPECIFICATIONS AND STANDARDS

The 800PB coupling connector meets the requirements of CENELEC HD 629.1.

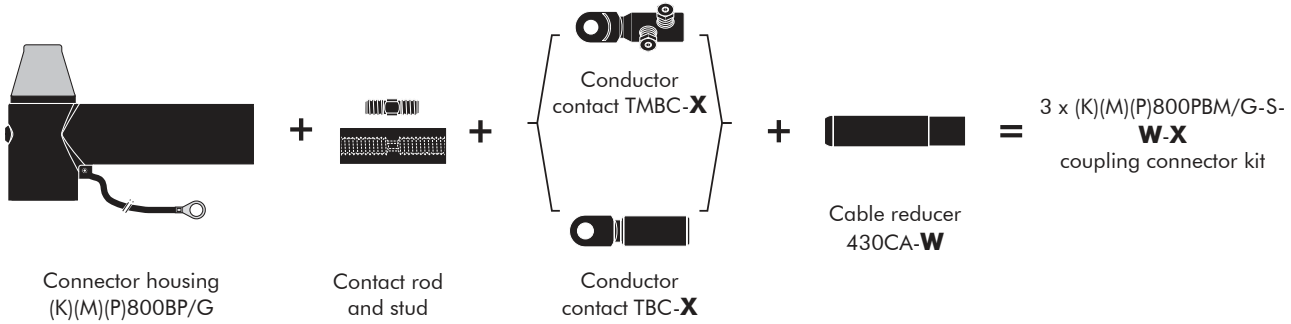
Separable connector type	Voltage $U_m$ (kV)	Current $I_r$ (A)	Current $I_r$ (A) When using a copper (CU-2) or a bolted (UN-5) conductor contact	Conductor sizes (mm <sup>2</sup> )	
				min	max
800PB/G	12	630	1250	35	300
K800PB/G	24	630	1250	35	300
M800PB/G	36	630	1250	50	300
P800PB/G	42	630	1250	50	240

05/2017

## KIT CONTENTS

The complete (K)(M)(P) 800PB/G coupling connector kit comprises 3x the following components:

The kit also comprises silicone grease, field control mastic, installation rod, gloves, wipers, roll adhesive tape, installation instructions and crimp chart.



## ORDERING INSTRUCTIONS

To order the coupling connector, select the ordering part number which gives you the best centring of your core insulation diameter and substitute **X** using table X, according to your conductor size and type.

Add a 'K' for use up to 24 kV, add an 'M' for use up to 36 kV, add a 'P' for use up to 42 kV.

### EXAMPLE:

The cable is 24 kV, 150 mm<sup>2</sup> compact stranded copper with a diameter over core insulation of 27.5 mm.

Order 3 x K800PB/G-S-18-95.240UN5 coupling connector kit.

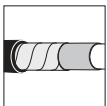
TABLE W

Ordering part number	Dia. over core insulation (mm)	
	min	max
3 x 800PB/G-S-11-X	12.0	17.5
3 x 800PB/G-S-16-X	17.0	23.5
3 x 800PB/G-S-18-X	19.0	28.0
3 x 800PB/G-S-22-X	23.5	32.0
3 x 800PB/G-S-27-X	28.5	37.5
3 x 800PB/G-S-30-X*	36.0	40.5

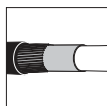
\* will include an adapted installation instruction

TABLE X

Conductor sizes (mm <sup>2</sup> )	Aluminium conductor		Aluminium and copper conductor	Copper conductor	
	DIN hexagonal	Deep indent	Bolted	DIN hexagonal	
35	35AL2	35AL1	16.95UN5	35CU2	
50	50AL2	50AL1		50.150UN5	50CU2
70	70AL2	70AL1			95.240UN5
95	95AL2	95AL1		120.300UN5	
120	120AL2	120AL1	120CU2		
150	150AL2	150AL1	150CU2		
185	185AL2	185AL1	185CU2		
240	240AL2	240AL1	240CU2		
300	300AL2	-	300CU2		



For use with copper tape screened cables.  
Order: Kit MT.



For use with copper wire screened cables.  
No earthing device is necessary.



For use with other cable types.  
Please contact our representative.



For use in potentially explosive atmospheres (for 12 kV max).  
Add -ATEX to part number.



For outdoor applications.  
Order: +MWS.



This product can also be installed using a 411 CA.  
Please contact our representative.