



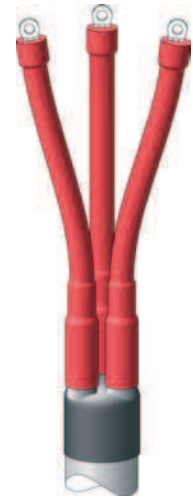
Heat Shrink Terminations for use on XLPE and Paper Cables 1.9/3.6kV

In conditions of high humidity, chemical and dust contamination, it is recommended that red anti-track materials are used for extra reliability and long term service.



| Single Core PILC / XLPE Indoor / Outdoor Type | | |
|---|------------------------|-------------|
| Part Number | Cable Range | Tail Length |
| 1TIS-3.6A | 25-70mm ² | 300mm |
| 1TIS-3.6B | 95-300mm ² | 300mm |
| 1TIS-3.6C | 400-630mm ² | 300mm |

| 3 Core PILC / XLPE Indoor / Outdoor Type | | |
|--|------------------------|-------------|
| Part Number | Cable Range | Tail Length |
| 3TIS-3.6A | 25-70mm ² | 600mm |
| 3TIS-3.6B | 95-185mm ² | 600mm |
| 3TIS-3.6C | 240-400mm ² | 600mm |



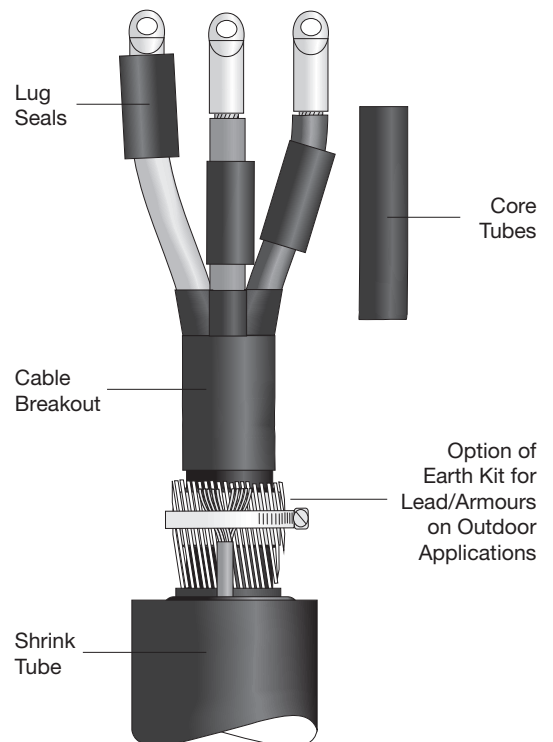
Heat Shrink Terminations for LV PILC Cables 0.6/1kV

| 3/4 Core PILC Termination | | |
|---------------------------|------------------------|-------------|
| Part Number | Cable Range | Tail Length |
| SPS 4-35-600-3 | 4-35mm ² | 600mm |
| SPS 4-35-1000-3 | 4-35mm ² | 1000mm |
| SPS 50-150-600-3 | 50-150mm ² | 600mm |
| SPS 50-150-1000-3 | 50-150mm ² | 1000mm |
| SPS 185-300-600-3 | 185-300mm ² | 600mm |
| SPS 185-300-1000-3 | 185-300mm ² | 1000mm |

Table above lists part number for 3 core kits, if 4 core, last digit should read - 4

Example: SPS 50-150-600-4

Note: Picture shows outdoor earthing components. If indoor type, the gland kit selected normally takes care of the earthing requirements.

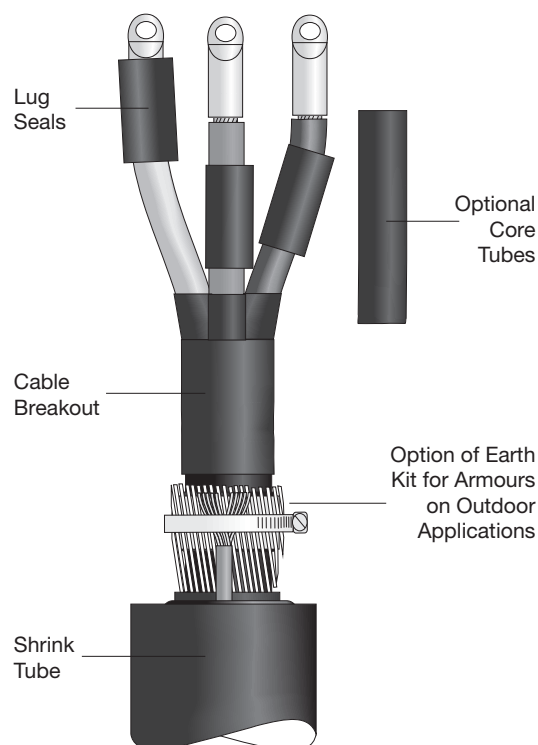


Heat Shrink Terminations XLPE/SWA/PVC Cables 0.6/1kV

| 2 Core Type | |
|----------------|------------------------|
| Part Number | Cable Range |
| SPS 4-35-2X | 4-35mm ² |
| SPS 35-150-2X | 35-150mm ² |
| SPS 150-400-2X | 150-400mm ² |

| 3 Core Type | |
|----------------|------------------------|
| Part Number | Cable Range |
| SPS 10-35-3X | 10-35mm ² |
| SPS 50-95-3X | 50-95mm ² |
| SPS 120-185-3X | 120-185mm ² |
| SPS 185-300-3X | 185-300mm ² |

| 4 Core Type | |
|----------------|------------------------|
| Part Number | Cable Range |
| SPS 10-35-4X | 10-35mm ² |
| SPS 50-95-4X | 50-95mm ² |
| SPS 120-185-4X | 120-185mm ² |
| SPS 185-300-4X | 185-300mm ² |



Note: Standard tail length if core tubes are required is 600mm. Terminations for single core cables will be lug seal only. Please specify if alternative length is required.

Earthing Accessories

If earthing of the armours is required, suffix E1=Indoor EO=Outdoor

Example: If a 4 core 185mm² XLPE/SWA/PVC termination with indoor earthing is required the part number would be: SPS 185-300-4XE1.

Bolt on earth glands are also available and are listed on pages 15 and 16.

Test Reports

Independent test reports are available upon request.