



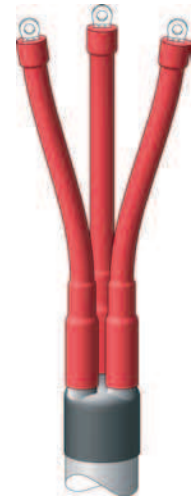
Heat Shrink Terminations for use on XLPE and Paper Cables 1.9/3.6kV

In conditions of high humidity, chemical and dust contamination, it is recommended that red anti-track materials are used for extra reliability and long term service.



Single Core PILC / XLPE Indoor / Outdoor Type		
Part Number	Cable Range	Tail Length
1TIS-3.6A	25-70mm ²	300mm
1TIS-3.6B	95-300mm ²	300mm
1TIS-3.6C	400-630mm ²	300mm

3 Core PILC / XLPE Indoor / Outdoor Type		
Part Number	Cable Range	Tail Length
3TIS-3.6A	25-70mm ²	600mm
3TIS-3.6B	95-185mm ²	600mm
3TIS-3.6C	240-400mm ²	600mm



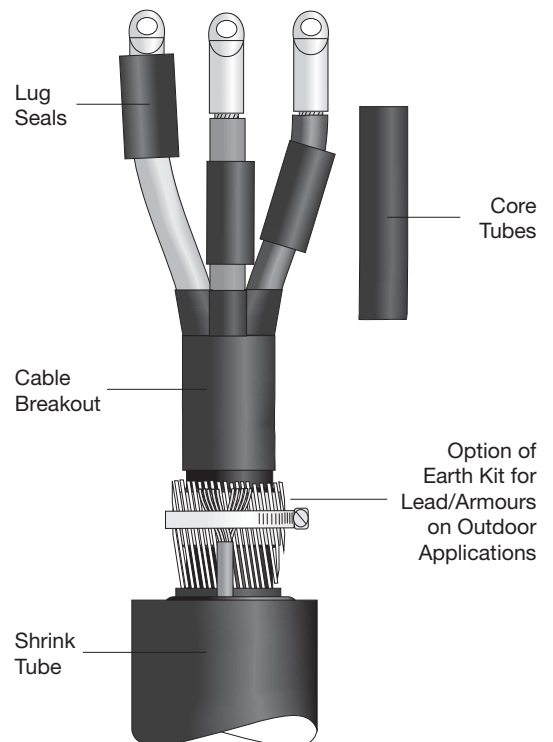
Heat Shrink Terminations for LV PILC Cables 0.6/1kV

3/4 Core PILC Termination		
Part Number	Cable Range	Tail Length
SPS 4-35-600-3	4-35mm ²	600mm
SPS 4-35-1000-3	4-35mm ²	1000mm
SPS 50-150-600-3	50-150mm ²	600mm
SPS 50-150-1000-3	50-150mm ²	1000mm
SPS 185-300-600-3	185-300mm ²	600mm
SPS 185-300-1000-3	185-300mm ²	1000mm

Table above lists part number for 3 core kits, if 4 core, last digit should read - 4

Example: SPS 50-150-600-4

Note: Picture shows outdoor earthing components. If indoor type, the gland kit selected normally takes care of the earthing requirements.

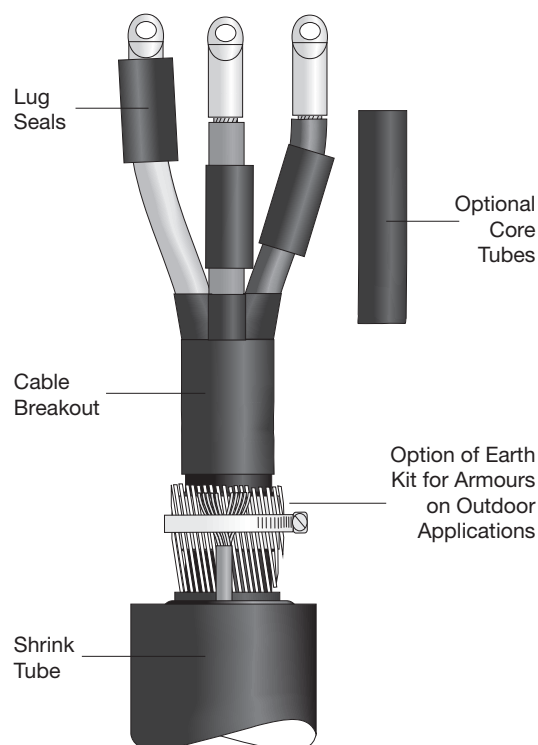


Heat Shrink Terminations XLPE/SWA/PVC Cables 0.6/1kV

2 Core Type	
Part Number	Cable Range
SPS 4-35-2X	4-35mm ²
SPS 35-150-2X	35-150mm ²
SPS 150-400-2X	150-400mm ²

3 Core Type	
Part Number	Cable Range
SPS 10-35-3X	10-35mm ²
SPS 50-95-3X	50-95mm ²
SPS 120-185-3X	120-185mm ²
SPS 185-300-3X	185-300mm ²

4 Core Type	
Part Number	Cable Range
SPS 10-35-4X	10-35mm ²
SPS 50-95-4X	50-95mm ²
SPS 120-185-4X	120-185mm ²
SPS 185-300-4X	185-300mm ²



Note: Standard tail length if core tubes are required is 600mm. Terminations for single core cables will be lug seal only. Please specify if alternative length is required.

Earthing Accessories

If earthing of the armours is required, suffix E1=Indoor EO=Outdoor

Example: If a 4 core 185mm² XLPE/SWA/PVC termination with indoor earthing is required the part number would be: SPS 185-300-4XE1.

Bolt on earth glands are also available and are listed on pages 15 and 16.

Test Reports

Independent test reports are available upon request.