

## SRDI HEAT-SHRINKABLE THREE CORE XLPE INDOOR TERMINATION

Up to 36 kV

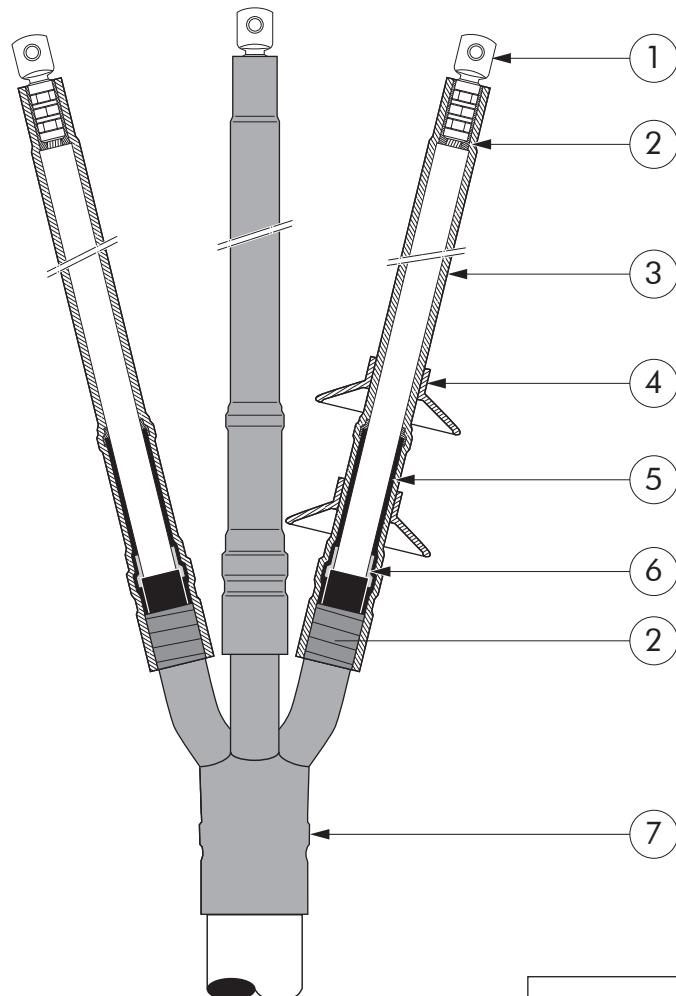
6/10 (12) kV  
6.35/11 (12) kV  
8.7/15 (17.5) kV  
12/20 (24) kV  
12.7/22 (24) kV  
18/30 (36) kV  
19/33 (36) kV

### Application

Heat-shrinkable terminations for three core polymeric cables, widely used by power utilities and in industrial applications. For use indoor in controlled environmental conditions.

### Design

1. Cable lug (supplied on request).
2. Water sealing mastic.
3. Anti-tracking heat-shrinkable tube.
4. Anti-tracking sheds (when required).
5. Stress control heat-shrinkable tube.
6. Stress control mastic.
7. Break-out.



### Specifications and standards

Meets the requirements of CENELEC HD 629.1 and IEC 60502-4.

### Ordering instructions

Select the part number and add both system voltage and conductor size range.

**Example part number:**  
SRDI 12/120-240

Termination type	Voltage class (Um)	12 kV (&17 kV)	24 kV	36 kV
SRDI	Cable cross section (mm <sup>2</sup> )	35-95	25-70	50-120
		120-240	95-185	150-240
		240-500	240-400	240-400



For use with other sizes and cable types. Please contact our representative.

11/2012