

## R900BE/G

### Interface F

### Bushing extender

Up to 72.5 kV  
1250 A\*

#### Application

The separable bushing extender R900BE/G provides an extension piece to allow cables to stand away from equipment (transformers, switchgears, ...). It is used in conjunction with R909PB/G, supplied with an earthing lead.

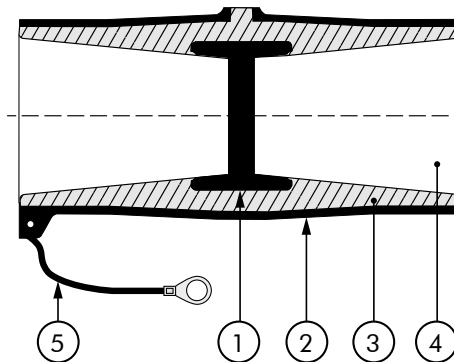
#### Technical characteristics

- The thick conductive EPDM jacket provides a total safe to touch screen which ensures safety for personnel.
- Each bushing extender is tested for AC withstand and partial discharge prior to leaving the factory.

**U (U<sub>m</sub>)**  
60-69 (72.5) kV

#### Design

1. Conductive EPDM insert
2. Conductive EPDM jacket
3. Insulating EPDM layer moulded between insert and jacket
4. Type F interface ref. CENELEC EN 50180 and 50181
5. Earthing lead



For use with connectors, bushings and connecting plugs with interface F as described by CENELEC EN 50180 and 50181.

\* When installed on an appropriate equipment bushing.

## R900DR-B/G

### Interface F

### Dead-end receptacle

Up to 72.5 kV

#### Application

Fits over a bushing with a type F interface to provide dead-end facility. The dead-end receptacle R900DR-B/G is supplied with an earth lead.

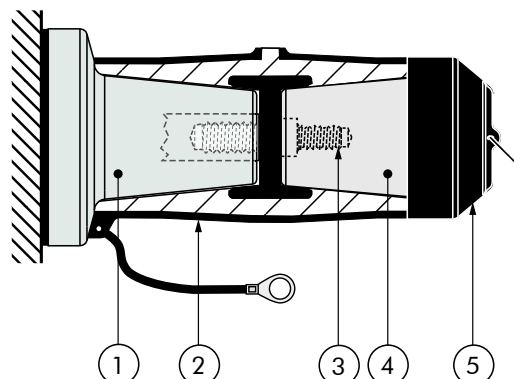
#### Technical characteristics

- Each dead-end receptacle is tested for AC withstand and partial discharge prior to leaving the factory.

**U (U<sub>m</sub>)**  
60-69 (72.5) kV

#### Design

1. Type F interface ref. CENELEC EN 50180 and 50181
2. Bushing extender R900BE/G
3. Stud + nut + washer
4. Basic insulating plug
5. Conductive EPDM cap



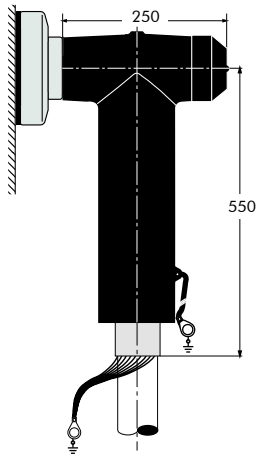
Order R900DR-B/G for 72.5 kV applications.

# POSSIBLE ARRANGEMENTS

## Interface F

### R909TB/G

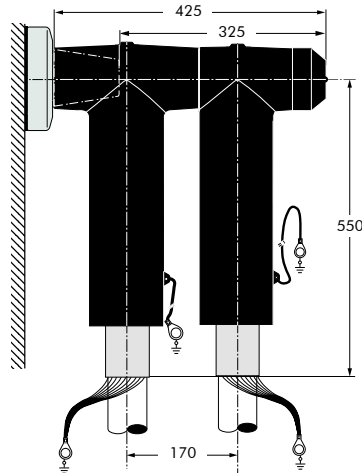
Single cable arrangement



Tee connector  
R909TB/G

### R909TB/G + R909PB/G

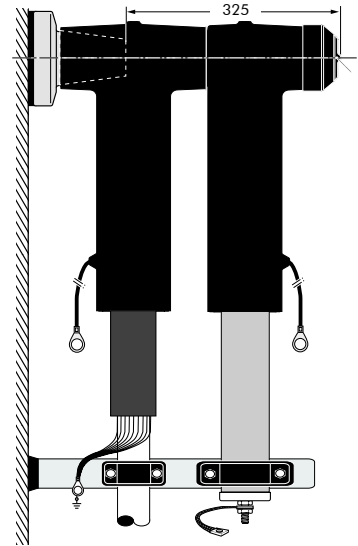
Dual cable arrangement



Tee connector R909TB/G    Coupling connector R909PB/G

### R909TB/G + 900SA-CD

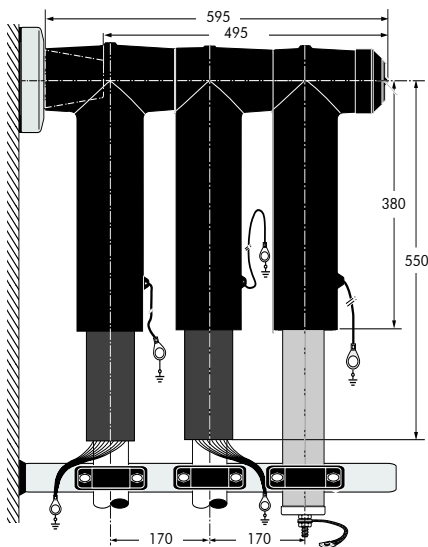
Single cable arrangement with surge arrester



Tee connector R909TB/G    Surge arrester 900SA-CD

### R909TB/G + R909PB/G + 900SA-CD

Dual cable arrangement with surge arrester



Tee connector R909TB/G    Coupling connector R909PB/G    Surge arrester 900SA-CD



**THORNE & DERRICK**  
INTERNATIONAL

**Thorne & Derrick**  
+44 (0) 191 410 4292  
www.powerandcables.com