

CABLE SUPPORT PRODUCTS

We produce support grips for a range of applications, including vertical and horizontal support of cables/pipes and specialist applications such as wind turbines and conduit risers.

- Precise, hand-woven construction
- Specifications to suit all requirements
- Choice of one or two supporting 'eyes'
- Lace up and rod closing options

WIND TURBINE SUPPORT GRIP - HEAVY DUTY THIMBLE OFFSET EYE

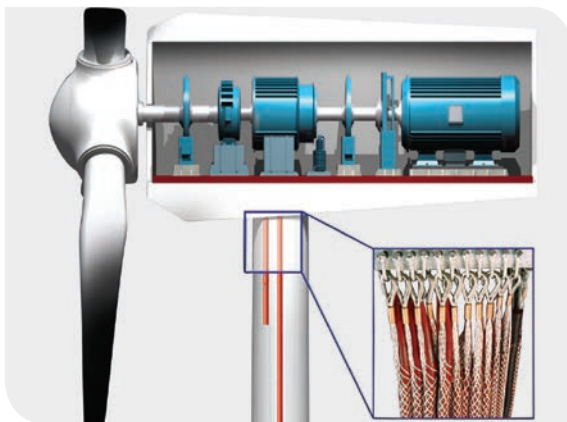


Slingco has developed a range of cable grips tailored for the renewable energy sector for use in:

- Cable installation – on-shore and off-shore
- Cable support inside wind turbines
- Cable management

For wind turbines, special features have been adapted to allow for minimal contact with the actual cable while still allowing excellent working loads and cable support.

The Slingco Wind Turbine Support Grip is manufactured from 316 Stainless Steel and provides cable support and control inside the wind turbine. It features rounded copper ferrules and offers reduced cable contact for high vibration environments. Custom grips can be adapted to meet any requirement.



Slingco Part No	Range		Lattice Length		Approx. Break Load	
	in	mm	in	mm	lb	kg
ZCS2844	0.31 - 0.40	8 - 10	25	635	1,485	670
ZCS2845	0.40 - 0.60	10 - 15	26	660	2,295	1,040
ZCS2846	0.60 - 0.80	15 - 20	28	711	2,900	1,315
ZCS2847	0.80 - 0.99	20 - 25	29	736	4,550	2,080
ZCS2848	1.0 - 1.19	25 - 30	29	736	5,450	2,475
ZCS2849	1.20 - 1.58	30 - 40	31	787	7,800	3,575
ZCS2850	1.58 - 1.98	40 - 50	39	990	10,750	4,890
ZCS2851	1.98 - 2.37	50 - 60	39	990	10,750	4,890
ZCS2852	2.38 - 2.77	60 - 70	47	1194	14,000	6,420
ZCS2853	2.77 - 3.55	70 - 90	47	1194	14,000	6,420
ZCS2854	3.55 - 4.33	90 - 110	47	1194	18,000	8,165

EXTENDED THIMBLE EYE HEAVY DUTY DOUBLE WEAVE STAINLESS STEEL CABLE GRIP



Slingco Part No	Range		Lattice Length		Eye Extension Length		Approx. Break Load	
	in	mm	in	mm	in	mm	lb	kg
ZCS2870	0.39 - 0.60	10 - 15	20	500	20	350	2,295	1,040
ZCS2871	0.60 - 0.80	15 - 20	20	500	20	350	2,903	1,315
ZCS2872	0.80 - 0.99	20 - 25	20	500	20	350	4,590	2,082
ZCS2873	1.0 - 1.19	25 - 30	20	500	20	350	5,468	2,480
ZCS2874	1.20 - 1.58	30 - 40	20	500	20	350	7,898	3,582