

# Libra Cleat

## 376AC Series



**The libra cleat is an aluminium cleat suitable for single core cables laid in trefoil.**

### Features and Benefits

- Suitable for use with cable diameters 24 to 76mm.
- Manufactured from aluminium alloy.
- Suitable for single core cables laid in trefoil.
- Can be used with all types of cable routes.
- Supplied complete with top fastening.
- Plain finish for indoor dry normal industrial use or outdoor unpolluted areas.
- Epoxy coated for harsh environments.
- Operating temperature -60°C to +100°C.
- Suitable for use at a maximum system fault level of 30kA rms.



**THORNE &  
DERRICK**  
INTERNATIONAL

**Thorne & Derrick**  
+44 (0) 191 410 4292  
[www.powerandcables.com](http://www.powerandcables.com)

## Technical Data

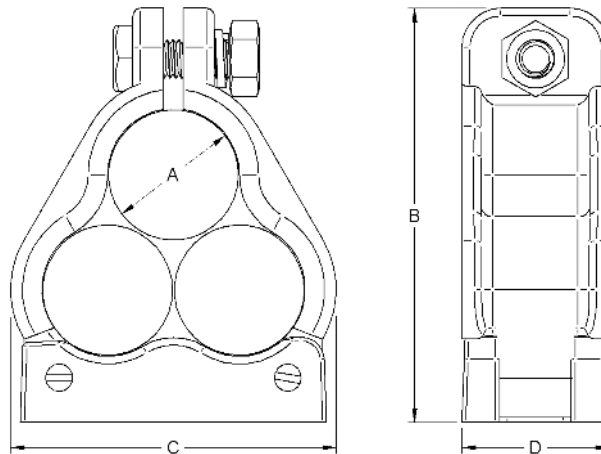
Cable and Cleat Selection				Cleat Details			
Design Number		Cable Diameter		Dimensions (mm)			Weight (g)
Standard	Epoxy Coated	A (mm)		B	D	C (Single Fixing)	Single Fixing
		Min	Max				
376AC01	376AE01	24	25	94	38	75	234
376AC02	376AE02	25	27	97	38	75	241
376AC03	376AE03	27	28	100	38	75	248
376AC04	376AE04	28	30	103	38	76	255
376AC05	376AE05	30	32	105	38	79	269
376AC06	376AE06	32	34	106	38	83	284
376AC07	376AE07	34	35	109	38	86	291
376AC08	376AE08	35	36	113	38	89	298
376AC09	376AE09	36	38	116	38	92	305
376AC10	376AE10	38	40	119	38	95	315
376AC11	376AE11	40	41	122	38	99	319
376AC12	376AE12	41	43	124	38	105	326
376AC13	376AE13	43	44	127	38	108	340
376AC14	376AE14	44	46	130	38	112	354
376AC15	376AE15	46	48	133	38	114	361
376AC16	376AE16	48	49	137	38	118	369
376AC17	376AE17	49	51	140	38	121	376
376AC18	376AE18	51	53	143	38	124	383
376AC19	376AE19	53	54	146	38	127	390
376AC20	376AE20	54	55.5	155	44	133	503
376AC21	376AE21	55.5	57	158	44	137	517
376AC22	376AE22	57	59	160	44	141	588
376AC23	376AE23	59	60	163	44	145	602
376AC24	376AE24	60	62	165	44	148	617
376AC25	376AE25	62	63.5	168	44	152	631
376AC26	376AE26	63.5	65	172	44	156	645
376AC27	376AE27	65	66.5	176	44	160	666
376AC28	376AE28	66.5	68	178	44	164	687
376AC29	376AE29	68	70	181	44	168	716
376AC30	376AE30	70	71.5	187	44	171	745
376AC31	376AE31	71.5	73	190	44	175	758
376AC32	376AE32	73	74.5	193	44	179	773
376AC33	376AE33	74.5	76	197	44	183	787

\* Technical information subject to change without notice

### Method of Fixing

In all applications the cleat should be mounted on suitable M10 fixings.

Two Bolt Version available on request.



**THORNE &  
DERRICK  
INTERNATIONAL**

**Thorne & Derrick**  
+44 (0) 191 410 4292  
[www.powerandcables.com](http://www.powerandcables.com)