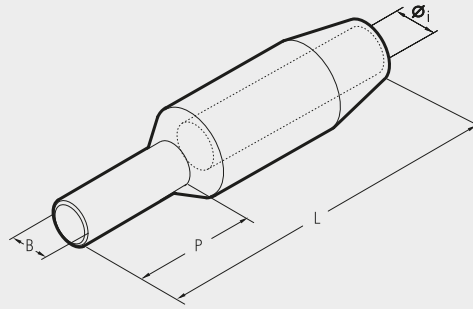


HIGH VOLTAGE STALK CONNECTORS

MT-C



MT-C series connectors are designed for high voltage applications up to 33 kV. They are manufactured from high purity copper, annealed and tin plated. The extended barrel enhances both electrical and mechanical performance. The stalk or pin makes these connectors ideal for terminating conductors into contact blocks. Appropriate crimping tools and dies are shown in details on page 210.

Conductor Size sqmm	Type	Dimensions in.				Quantity Box/Bag	Hydraulic Tools			
		Øi	B	P	L					
25 R	MT25-C8	0.27	0.31	1.38	3.15	90/3	HT51 RH50 B500A B500ND B550CA HTB1-J RHUB1 B1300L-CA and similar tools for U dies ECW-H3D RHUG20			
	MT40S-C8	0.32	0.31	1.38	3.15	90/3				
30 RC/S ÷ 40 S	MT40S-C10	0.32	0.39	1.38	3.15	90/3				
	MT40S-C14-80	0.32	0.55	3.15	4.84	30/3				
50 RC	MT50R-C8	0.35	0.31	1.38	3.15	90/3				
	MT50R-C10	0.35	0.39	1.38	3.15	90/3				
	MT50S-C8	0.37	0.31	1.38	3.15	90/3				
50 S	MT50S-C10	0.37	0.39	1.38	3.15	90/3				
	MT50S-C14-80	0.37	0.55	3.15	4.84	30/3				
63 S ÷ 70 S	MT70S-C10	0.44	0.39	1.38	3.54	30/3				
80 S ÷ 95 RC	MT95R-C10	0.47	0.39	1.77	4.33	60/3				
	MT95R-C12	0.47	0.47	1.77	4.33	60/3				
	MT95S-C10	0.53	0.39	1.77	4.33	60/3				
95 S ÷ 100 S	MT95S-C12	0.53	0.47	1.77	4.33	60/3				
	MT95S-C14-80	0.53	0.55	3.15	5.71	60/3				
120 RC/S ÷ 150 RC	MT150R-C12	0.59	0.47	1.77	4.33	60/3				
	MT150R-C16	0.59	0.63	1.77	4.33	30/3				
	MT150S-C12	0.65	0.47	1.77	4.33	60/3				
150 S ÷ 160 RC	MT150S-C14-80	0.65	0.55	3.15	5.71	45/3				
	MT150S-C16	0.65	0.63	1.77	4.33	60/3				
160 S ÷ 200 RC	MT200R-C10	0.67	0.39	1.77	4.33	30/3				
	MT200R-C16	0.67	0.63	1.77	4.33	30/3				
200 S ÷ 240 RC	MT240R-C12	0.77	0.47	1.97	4.53	30/3				
	MT240R-C16	0.77	0.63	1.97	4.53	30/3				
240 S ÷ 315 RC	MT315R-C16	0.85	0.63	1.97	4.53	30/3				
	MT315S-C16	0.94	0.63	2.36	5.12	30/3				

R = Round conductors RC = Round Compact conductors S = Sector shaped conductors



**THORNE &
DERRICK
INTERNATIONAL**

Thorne & Derrick
+44 (0) 191 410 4292
www.powerandcables.com