



THORNE &
DERRICK
INTERNATIONAL

Thorne & Derrick
+44 (0) 191 410 4292
www.powerandcables.com



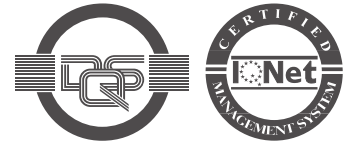
STRIPPING TOOLS

www.intercable.tools

intercable
TOOLS FOR PROFESSIONALS

INTERCABLE STANDS FOR HIGH QUALITY

Products and service! An efficient organisation, as well as a quality management according to the EN ISO 9001 international standards, guarantee optimum processes and continual improvement. In-house design and production in Italy and Germany and full commitment of our highly trained personell is our main recipe of success.



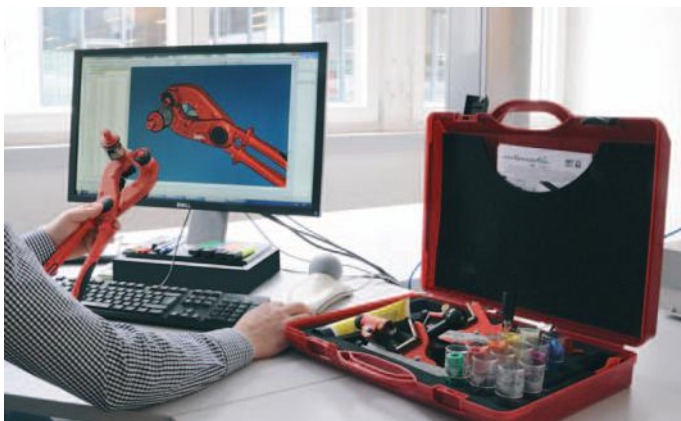
DIN EN ISO 9001: Reg.-Nr. 067378
ISO/TS 16949: Rea.-Nr. 067378



Assembling of hydraulic tools in the headquarter



In-house production of the tools



Planning and construction of innovative products

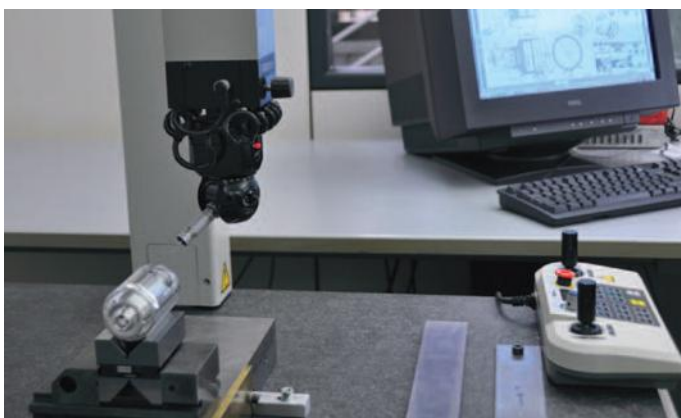


10.000V voltage test

TECHNOLOGY IS OUR PASSION

Our specialists set themselves a clear goal: provide workers in the electrical technology sector with the very best tools and equipment for performing their daily tasks.

Our own innovation department with its highest qualified experts and the latest technologies in the planning and construction sector is the guarantee for our success and the continuous improvements.



Inspection of a hydraulic pump core by 3D device

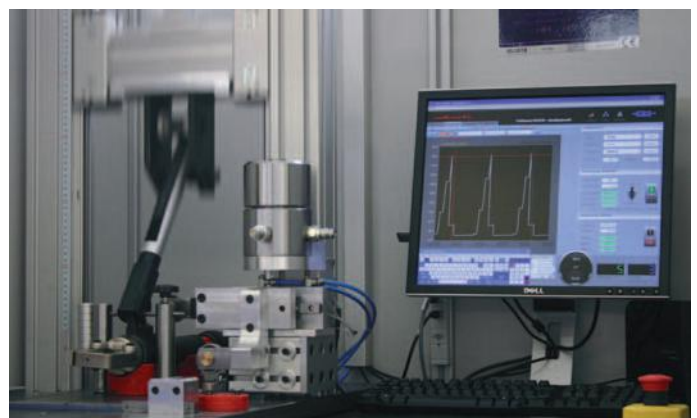
OUR KNOW-HOW FOR YOUR SAFETY

Safety tests on every single tool

Every single CE/EN 60900 certified tool (identified by the double triangle and the 1000V sign) produced by Intercable undergoes a 10,000 Volt voltage test in a water bath or with steel balls for 10 seconds.

Technical tests on every single tool

Each hydraulic tool produced by Intercable is subjected to a series of particularly severe technical tests. The test certificate is enclosed to the tool and traceable by the serial number.



Technical test of hydraulic tools

KNIVES SCISSORS AND
MECHANICAL CABLE
STRIPPER



4 - 6

STRIPPING TOOLS FOR
EXTERNAL INSULATION



7 - 13

STRIPPING TOOLS FOR
SEMICONDUCTOR



14 - 15

STRIPPING AND
CHAMFERING TOOLS FOR
PRIMARY INSULATION



16 - 18

SETS OF STRIPPING TOOLS
TARGET SOLUTIONS



19 - 22



- Universal cutting blade



Universal Knife with Clappable Blade Protection

- 1000V insulated tool
- With replaceable standard blade (thickness 0,65mm)
- Made of shock-proof material

Description	Order No.	Blade	Length
Cable knife	AV3910	interch. 50 mm	185 mm
Spare blade	AV3911	-	50 mm



- Special stripping blade shape
- No cutting of conductor wires



Cable Stripping Knife with Clappable Blade Protection

- 1000V insulated tool
- With replaceable solid blade and insulated blade-back
- Made of shock-proof material

Description	Order No.	Blade	Length
Cable knife	AV3920	interch. 50 mm	185 mm
Spare blade	AV3921	-	50 mm



- No cutting of conductor wires
- No short circuits
- No wear of blade sharpening



Special Cable Stripping Knife with Ceramic Blade

- 1000V insulated tool
- With clappable blade protection
- High cutting capacity

Description	Order No.	Blade	Length
Cable knife	AV3930	fixed 46 mm	185 mm

No replacing blade



Cable Stripping Knife with Safety Cap

- Special blade with guide blade prevents damage of conductor strands
- For removal of insulation and sheath
- Blade and back sharpened
- Blade of tempered stainless steel
- Insulation of tough non-brittle plastic

Description	Order No.	Blade	Length
Cable knife	2887 00	fixed 47 mm	175 mm

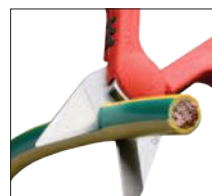
Cable Cutter and Crimper Electrician Scissor 2K

- To cut Cu/Al cables up to 50 mm²
- With slot to crimp insulated or not insulated end sleeves from 0,5 to 4 mm²
- Ergonomical and extremely robust
- Loose-free screw/pin hinge
- 2-component-handles
- With special Safetybox



Description	Order No.	Blade	Length
Scissors with safetybox	16020-F1	straigth	160 mm

Attention: not suitable for work under voltage



*Special blade design:
to cut and strip cables*

*To cut Cu/Al cables up
to 50 mm²*

Special slot to crimp



Special Electrician's Scissors 2K

- Ergonomical and extremely robust
- High cutting performance, optimized toothing
- Loose-free screw/pin hinge
- 2-component-handles

Description	Order No.	Blade	Length
Scissors with safetybox	16014	straigth	140 mm

Attention: not suitable for work under voltage



Special Electrician's Scissors

- Ergonomical and extremely robust
- High cutting performance
- Loose-free screw/pin hinge

Description	Order No.	Blade	Length
Scissors with safetybox	16013	straigth	140 mm

Attention: not suitable for work under voltage



Safetybox for INTERCABLE Electrician Scissors

- Suitable for all intercable scissors
- With belt safety clip

Description	Order No.	Blade	Length
Safetybox	16029	-	120 mm



Universal Cable Stripper

APPLICATION RANGE	0,08 - 6 mm ²
INSULATION THICKNESS	ANY
SUGGESTED APPLICATION	PVC

- Self-adjusting
- Shock-proof plastic

Description	Order No.	For Cable	Length
Universal cable stripper	AV8210	0,08 - 6 mm ²	205 mm
Replacement blade	AV8219	-	-

Attention: not suitable for work under voltage



Universal Cable Stripper

APPLICATION RANGE	1,5 - 35 mm ²
INSULATION THICKNESS	ANY
SUGGESTED APPLICATION	PVC

- Specially qualified for armored cables
- Self-adjusting
- Shock-proof plastic

Description	Order No.	For Cable	Length
Universal cable stripper	AV8203	1,5 - 35 mm ²	205 mm

Attention: not suitable for work under voltage



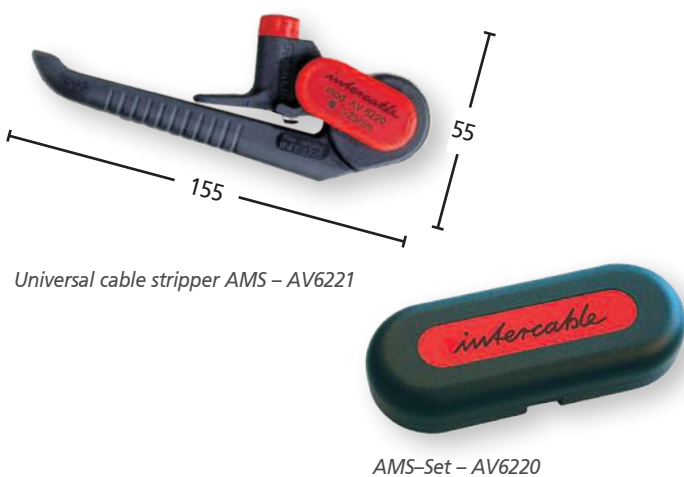
Self Adjustable Cable Stripper

APPLICATION RANGE	∅ 4,5 - 29 mm
INSULATION THICKNESS	ANY
SUGGESTED APPLICATION	PVC

- For every kind of insulation
- Round-, longitudinal- and spiral-cut possible
- Easy to change blade

Description	Order No.	For Cable	Length
Universal cable stripper	AV3810	4,5 - 29 mm	138 mm
Replacement blade	AV3819	-	-

Attention: not suitable for work under voltage



AMS / AMS 1000V - Universal Cable Stripper for External Insulation

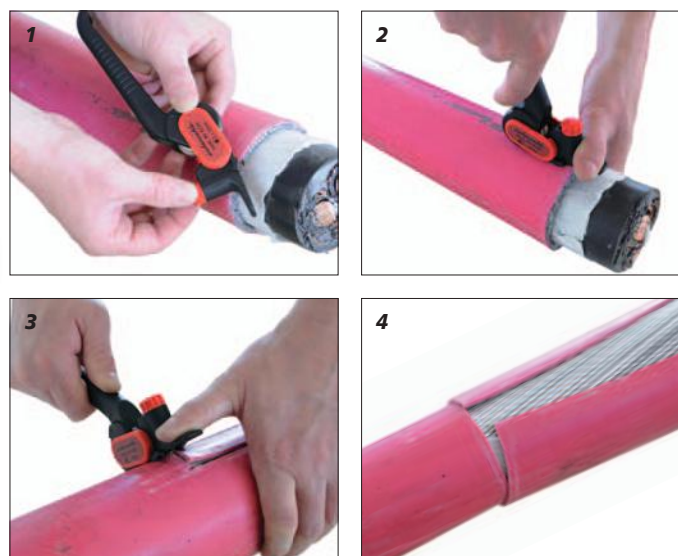
APPLICATION RANGE	Ø > 25 mm
INSULATION THICKNESS	0 - 5 mm
SUGGESTED APPLICATION	PVC / Rubber

Technical Characteristics:

- Designed to strip outer sheath from MV and LV cables
- Longitudinal and circular cuts
- Designed to strip both ends and midspan
- Stripping without cutting what is below
- Interchangeable two-sided blade
- Snap closure mechanism (AMS only)

Additional features model AMS 1000V - 17130:

- Suitable for work on live parts up to 1000V AC und 1500V DC (model AMS 1000V - 1713 0 only)
- Model AMS 1000V is also designed for very low temperature uses, down to -40°C



- NO DAMAGING OF BELOW SURFACE
- SUITABLE TO WORK A LIVE (ONLY MODEL 17130)
- LONG LASTING PRECISE INTERCHANGEABLE TWO SIDED BLADE

Description	Order No.	Dimensions	Weight
Set: AMS	AV6220	160 x 35 x 65 mm	200 g
Set: AMS 1000V	1713 0	170 x 50 x 75 mm	200 g
Spare blade	AV6299	-	-

SET Equipment:

- Plastic case to contain the tool and its instructions for use (AMS)
- Soft nylon case to contain the tool and its instructions for use (AMS 1000V)

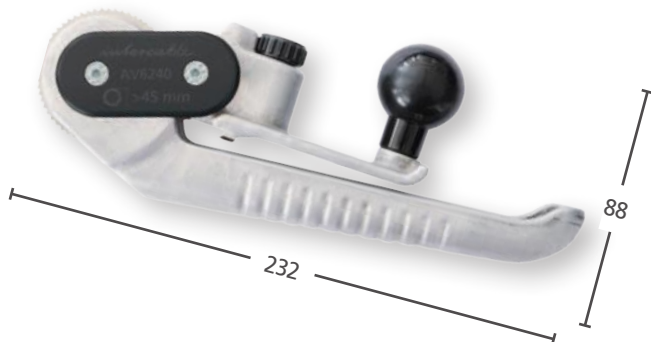


AMS MAXI - Universal Cable Stripper for Large Difficult Cable Insulation

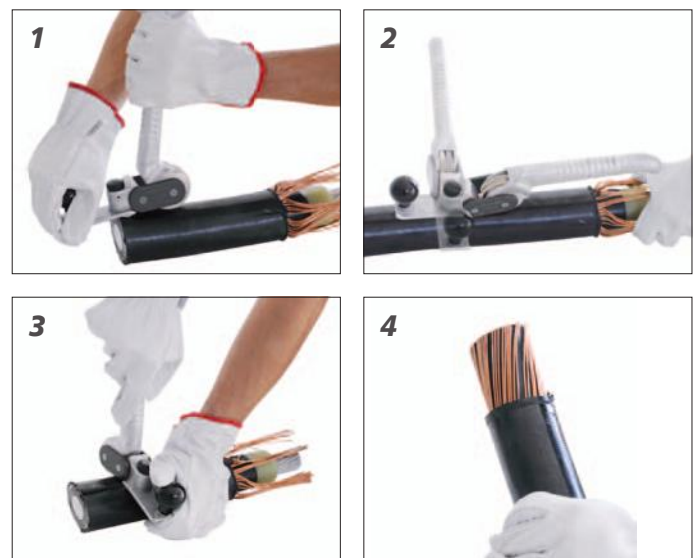
APPLICATION RANGE	Ø > 45 mm
INSULATION THICKNESS	0 - 5 mm
SUGGESTED APPLICATION	PVC / Rubber / Polyethylene

Technical Characteristics:

- Designed to strip outer sheath from LV, MV and HV cables
- Longitudinal and circular cuts
- Designed to strip both ends and midspan
- Stripping without cutting what is below
- Interchangeable two-sided blade



Universal cable stripper AMS MAXI – AV6240



- NO DAMAGING OF BELOW SURFACE
- LONG LASTING PRECISE INTERCHANGEABLE TWO SIDED BLADE
- SUITABLE TO WORK ON LARGE DIFFICULT CABLES INSULATION



AMS MAXI-Set – AV6240

Description	Order No.	Dimensions	Weight
Set: AMS MAXI	AV6240	250 x 150 x 90 mm	800 g
Spare blade	AV6299	-	-

Attention: not suitable for work under voltage

SET Equipment:

- Soft nylon case to contain the tool and its instructions for use

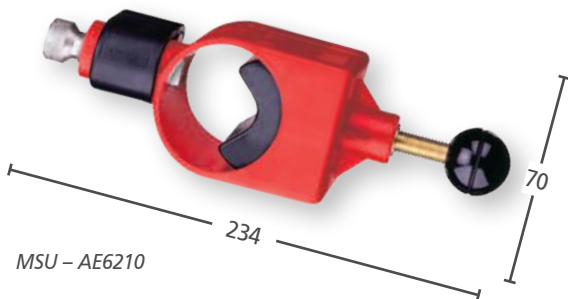
STRIPPING TOOLS FOR EXTERNAL INSULATION

MSU - Special Cable Stripper for External Insulation

APPLICATION RANGE	ø 24 - 60 mm
INSULATION THICKNESS	0 - 5 mm
SUGGESTED APPLICATION	Polyethylene / lead cables

Technical Characteristics:

- Designed to strip outer sheath from MV and LV cables.
- Circular and helical cuts
- Operates by simply rotating it around the cable axis
- Designed to strip both ends
- Interchangeable blade



Cable knife - AV3920



Soft case - AB6210



- NO DAMAGING OF BELOW SURFACE
- POSITIONING BY VICE SYSTEM
- EASY HANDLING

Description	Order No.	Dimensions	Weight
Set: MSU	AE6210	290 x 110 x 90 mm	900 g
Spare blade	AE6219	-	-

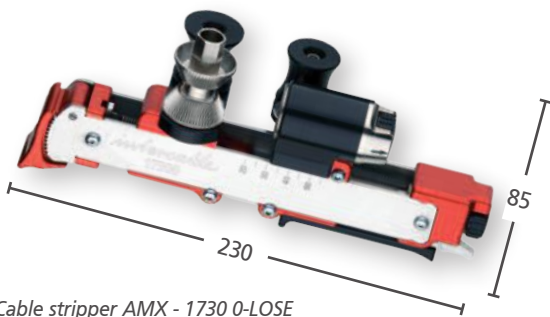
Attention: not suitable for work under voltage

SET Equipment:

- Special MSU cable stripper.....AE6211
- Cable knife.....AV3920
- Soft case.....AB6210



Norm: EN10020



Cable stripper AMX - 1730 0-LOSE



Feed lever - 1719 4



Soft nylon case - AB6230

AMX - Universal Cable Stripper with Heavy Duty Outer Sheaths

APPLICATION RANGE	Ø 16 - 54 mm
INSULATION THICKNESS	0 - 5 mm
SUGGESTED APPLICATION	Polyethylene / fully bonded Aluminium outer insulation

Technical Characteristics:

- Designed to strip aluminium armed outer sheaths of LV/MV
- Suitable for longitudinal and circular cutting
- Additional claw to break hard insulation
- The initial setting on correct cable diameter is done by adjusting the handle.
- The fixation of the device on the cable is performed by a quick-release system with toggle lever princip.
- The cutting depth is adjustable in steps of 0.1 mm
- Switchable between longitudinal and circular cutting
- Max. rotation diameter of the tool: 300 mm



- SMALL SELF ROTATING TO WORK ON LIMITED SPACE
- EASY AND PRECISE WORKING THROUGH FAST LOCKING SYSTEM
- STEP BY STEP DEPTH ADJUSTEMENT AND MAX. SAFETY OF OPERATOR

Description	Order No.	Dimensions	Weight
Set: AMX	1730 0	250 x 150 x 90 mm	1,3 kg
Spare blade	1730 1	-	-

Attention: not suitable for work under voltage

SET Equipment:

- AMX - cable stripper..... 1730 0-LOSE
- Feed lever..... 1719 4
- Soft nylon case AB6230

STRIPPING TOOLS FOR EXTERNAL INSULATION

AIS – Cable Stripper for External Insulation

APPLICATION RANGE	ø 16 - 54 mm
INSULATION THICKNESS	0,5 - 5 mm
SUGGESTED APPLICATION	High density polyethylene

Technical Characteristics:

- Longitudinal and circular cuts MV cables
- Used to work on live parts up to 1000V AC and 1500V DC.
- Designed to strip both ends and midspan
- Hooked blade for removing the sheath that has been cut
- 100° tool rotation makes a complete 360° circumference cut
- Longitudinal feed in both directions using the ratchet lever
- Electrically insulated interchangeable blades
- Two-component handles in compliance with CEI/EN60900 Standards
- The tool head (except for the blades) is totally protected by insulation against accidental contacts



Cable stripper AIS - 1719 6



Feed lever - 1719 4



- ADJUSTABLE CUTTING DEPTH LIMITATION
- SUITABLE TO WORK ON LIVE PARTS
- FEEDLEVER FOR PRECISE WORKING AND MAX. SAFETY OF OPERATOR

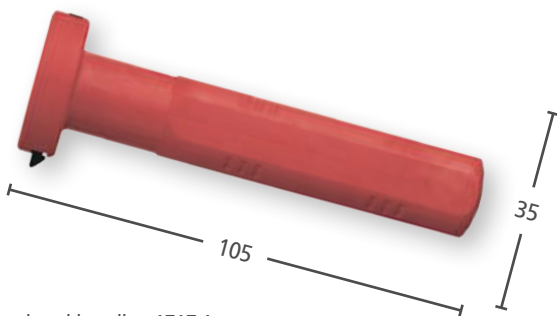


AIS-Set - 1719 0

Description	Order No.	Dimensions	Weight
Set: AIS	1719 0	390 x 330 x 90 mm	2,0 kg
Spare blade	1719 5	-	-

SET Equipment:

- AIS - cable stripper 1719 6
- Feed lever 1719 4
- 10 x 14 Colored identification washers -
- 2 Spare screws to fasten the blade 1719 7
- 2,5 mm allen wrench 1710 1
- Rigid plastic case AB17190



Insulated handle - 1717 1



Stripping insert - 1717...



FSI 150 - Set - 1717 0

FSI 150 – Insulated Wire Stripper for ABC Cables

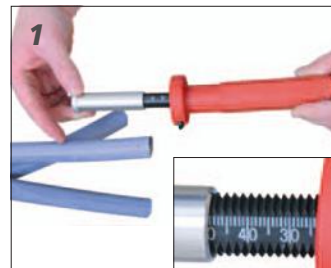
APPLICATION RANGE	6 - 150 mm ²
INSULATION THICKNESS	Preadjusted stripping inserts
SUGGESTED APPLICATION	ABC cables (overhead, twisted, insulated)

Technical Characteristics:

- Designed to work on live parts up to 1000V AC and 1500V DC.
- Stripping depth adjustment built inside the handle
- Insulated handle with bayonet connection
- Stripping length adjustable from 20 to 80mm
- Scale marked on the built-in device to display the preset length
- Interchangeable blade

Inserts available:

- Stripping insert 6 mm²..... 1717 006
- Stripping insert 10 mm²..... 1717 010
- Stripping insert 16mm²..... 1717 016
- Stripping insert 25mm²..... 1717 025
- Stripping insert 35mm²..... 1717 035
- Stripping insert 50mm²..... 1717 050
- Stripping insert 54,6mm²..... 1717 054
- Stripping insert 70mm²..... 1717 070
- Stripping insert 95 mm²..... 1717 095
- Stripping insert 150 mm² 1717 150
- Other inserts on request



- EASY HANDLING THROUGH PREADJUSTED INSERTS
- SUITABLE TO WORK ON LIVE PARTS 1000 V
- DESIGNED TO WORK IN LIMITED SPACE

Description	Order No.	Dimensions	Weight
Set: FSI 150	1717 0	235 x 200 x 55 mm	950 g
Spare blade	1717 9	-	-

SET Equipment:

- Insulated handle..... 1717 1
- Stripping inserts: 16mm², 25mm², 35mm², 50mm², 54,6mm², 70mm²
- 3 Spare blades 1717 9
- Allen wrench 2,5mm..... 1710 0
- Rigid plastic case AB17170

STRIPPING TOOLS FOR EXTERNAL INSULATION



FS1 – Insulated Wire Stripper for Cables from 2.5 to 10mm²

RIGID SINGLE POLE	10 mm ²
FLEXIBLE SINGLE POLE	2,5 - 4 - 6 mm ²

Technical Characteristics:

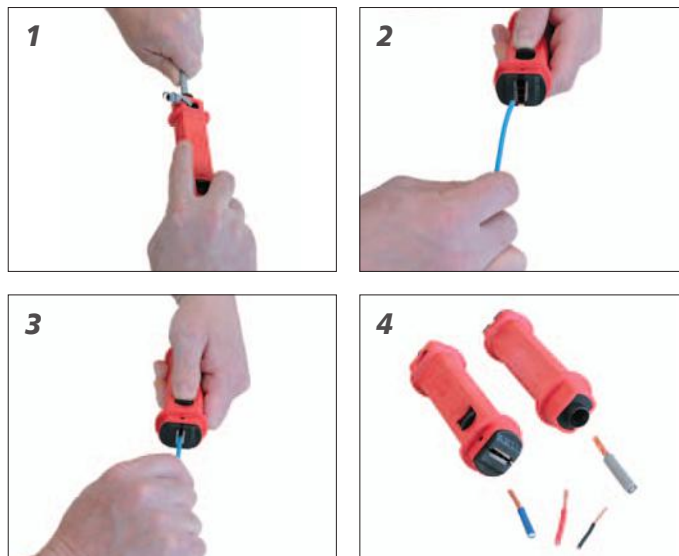
- 20mm Stripping depth
- Blade built into the tool
- The tool can be used with one hand only and allow easy stripping of cable's lengths of 20 mm
- The tool is provided with two hand – guards. Central handling permits all stripping operations
- Blades are located in such a position to prevent accidental contact with worker's hands during the stripping operations
- Blades are housed into the tool in such a way to assure the clean stripping of the insulation



Wire stripper - AE6200



Soft nylon case



- EASY HANDLING THROUGH PREADJUSTED STRIPPING
- SUITABLE TO WORK ON LIVE PARTS 1000 V
- DESIGNED TO WORK IN LIMITED SPACE

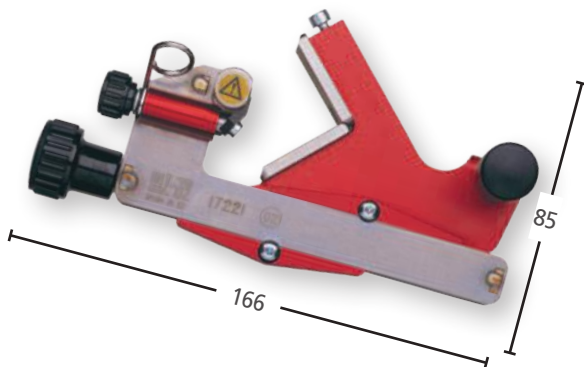
Description	Order No.	Dimensions	Weight
Set: FS1	AE6200	170 x 55 x 50 mm	150 g

SET Equipment:

- Insulated stripping toolAE6200
- Soft nylon case



Norm: EN10020



Cable stripper FBS – 1722 1



FBS-Set – 1722 0

FBS – Cable Stripper for Vulcanized Semiconductive Layer

APPLICATION RANGE	ø 10 - 52 mm
INSULATION THICKNESS	0 - 1,5 mm
SUGGESTED APPLICATION	Vulcanized, extruded, bonded semiconductive layer

Technical Characteristics:

- Positioning on the cable like a vice system
- Axial feed activation/deactivation device / both directions:
The stripping operation can be done by starting from outside of the cable (as shown on pictures: 25 mm of semicon layer will not be stripped) or from inside to outside (about 6 mm of semicon layer will be left over).
- Stripping can be done starting from any position on the cable
- Max. rotating diameter 200 mm
- Interchangeable blade



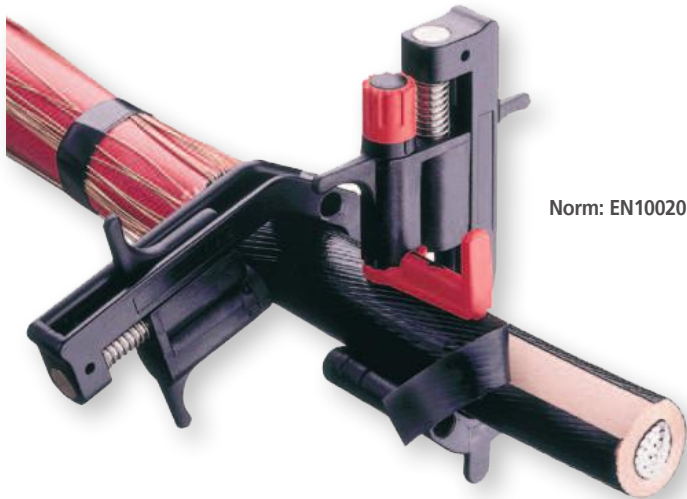
- REDUCED ROTATION ENABLES TO WORK ON LIMITED SPACE
- PERFECT CIRCULAR CUT
- STEP BY STEP DEPTH ADJUSTEMENT (WITH LOCKING POSSIBILITY)

Description	Order No.	Dimensions	Weight
Set: FBS	1722 0	235 x 200 x 55 mm	800 g
Spare blade 17"	1714 2	-	-
Spare parts kit (2x plates, 1x roll, suitable screws)	1714 5	-	-

Attention: not suitable for work under voltage

SET Equipment:

- FBS cable stripper 1722 1
- 2,5 mm Allen wrench 1710 0
- Tube of silicone grease AG1013
- Rigid plastic case AB17220

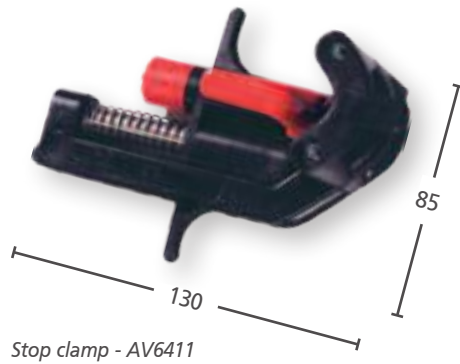


Norm: EN10020

HLS – Cable Stripper for Non-Vulcanized Semiconductive Layer

APPLICATION RANGE	∅ 16 - 41 mm
INSULATION THICKNESS	0 - 2 mm
SUGGESTED APPLICATION	Non vulcanized, peelable semiconductive layer

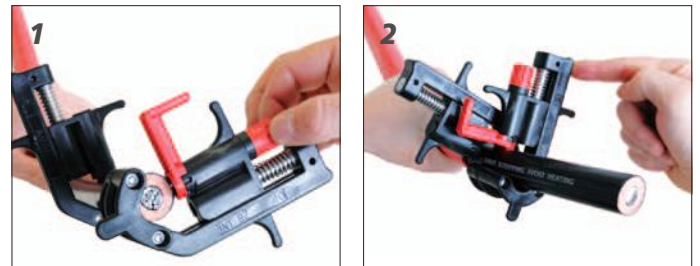
- To strip the non-vulcanized semiconductive layer of MV cables
- Longitudinal, helical and circular cuts
- Positioned on the cable like a vice system
- Stop clamp to limit the stripping length
- Step-by-step depth adjustment
- Max. rotating diameter 130 mm
- The positioning of the stripper and holding of stops-clamp is assured by the pressure of the spring
- The incision depth can be adjusted from 0 to 0,9 mm with 0,1 mm trips each by turning the corresponding knob
- The start of longitudinal incision can be done in exact correspondence with the circumferential one



Stop clamp - AV6411



Cable stripper - AV6410



- REDUCED ROTATION ENABLES TO WORK ON LIMITED SPACE
- PERFECT PRECISE CIRCULAR CUT
- NO INCISIONS ON SURFACE BELOW



HLS-Set – AV6400

Description	Order No.	Dimensions	Weight
Set: HLS	AV6400	250 x 160 x 55 mm	600 g
Spare blade	AV6499	-	-

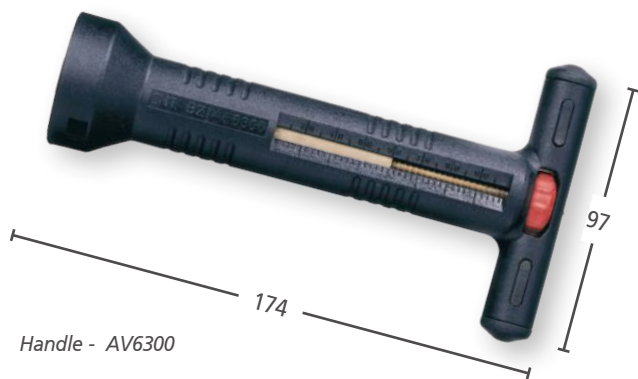
Attention: not suitable for work under voltage

SET Equipment:

- HLS - cable stripper AV6410
- Stop clamp AV6411
- Tube of silicone grease..... AG1013
- Rigid plastic case AB6400



Norm: EN10020



Handle - AV6300



Stripping insert - AV63...



IMS 20kV-Set – AV6310

IMS – Cable Stripper for Primary Insulation

APPLICATION RANGE	25 - 240 mm ²
INSULATION THICKNESS	Preadjusted stripping inserts
SUGGESTED APPLICATION	Any type of primary insulation

Technical Characteristics:

- Suitable for MV cables 10/11kV or 20/22kV
- Stripping length adjustable from 20 to 100mm using the device built into the handle
- Scale marked on the handle to display the preset stripping length
- Handle with bayonet connection
- Interchangeable blade

Inserts available:

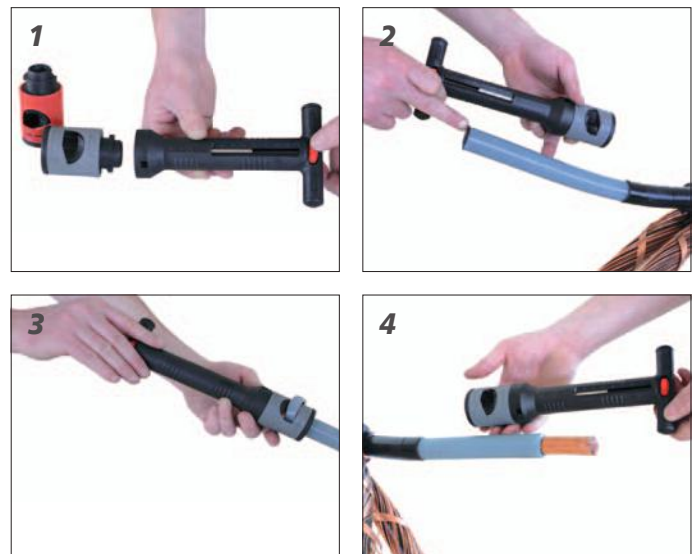
10 - 11kV

Insert for 35 mm ²	1716021
Insert for 50 mm ²	1716024
Insert for 120 mm ²	1716013
Insert for 150 mm ²	1716027
Insert for 185 mm ²	1716020
Insert for 240 mm ²	1716006

20 - 22kV

Insert for 25 mm ²	AV63025
Insert for 35 mm ²	AV63035
Insert for 50 mm ²	AV63050
Insert for 70 mm ²	AV63070
Insert for 95 mm ²	AV63095
Insert for 120 mm ²	AV63120
Insert for 150 mm ²	AV63150
Insert for 185 mm ²	AV63185
Insert for 240 mm ²	AV63240

Other inserts available on request (10kV, 30kV, customized sizes), by sending PE-Coating ϕ and Conductor ϕ in mm



- EASY HANDLING THROUGH PREADJUSTED INSERTS
- ADJUSTABLE STRIPPING LENGTH
- DESIGNED TO WORK IN LIMITED SPACE

Description	Order No.	Dimensions	Weight
Set: IMS 20kV	AV6310	330 x 290 x 75 mm	600 g
Set: IMS 20kV + AMS	AV6320	330 x 290 x 75 mm	1,70 kg
Spare blade	AV6399	-	-

Attention: not suitable for work under voltage

SET Equipment - AV6310:

- Handle AV6300
- Stripping inserts 25, 35, 50, 70, 95, 120, 150, 185, 240mm²
- Rigid plastic case AB6300

SET Equipment - AV6320 like model AV6310 including:

- AMS - cable stripper AV6221

STRIPPING TOOLS FOR PRIMARY INSULATION



Norm: EN10020



Stripping Tool IMS II – 1723 1



IMS II-Set – 1723 0

IMS II – Universal Cable Stripper for Primary Insulation

APPLICATION RANGE	Ø 15 - 52 mm
INSULATION THICKNESS	0 - 15 mm
SUGGESTED APPLICATION	Any type of primary insulation

Technical Characteristics:

- Designed to remove the primary insulation of 6 to 45kV cables
- Helical and circular cuts
- Max. rotating diameter 220 mm
- Snap knob to activate/deactivate axial feed
- Positioned on the cable like a vice system
- Designed to strip both ends
- Unlimited stripping length
- Interchangeable blade



- REDUCED ROTATION ENABLES TO WORK ON LIMITED SPACE
- PERFECT CIRCULAR CUT
- NO INCISIONS ON SURFACE BELOW

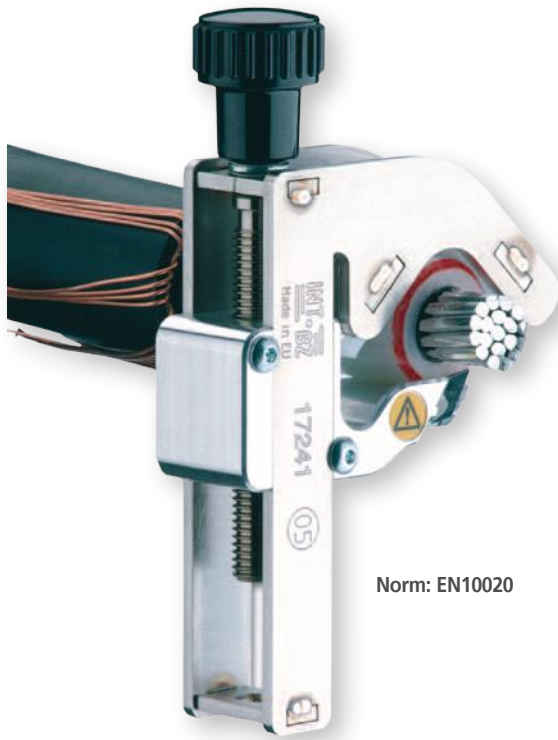
Description	Order No.	Dimensions	Weight
Set: IMS II	1723 0	275 x 220 x 65 mm	1,0 kg
Spare blade	1723 2	-	-
Spare parts kit (2x plates, 1x roll, suitable screws)	1723 5	-	-

Attention: not suitable for work under voltage

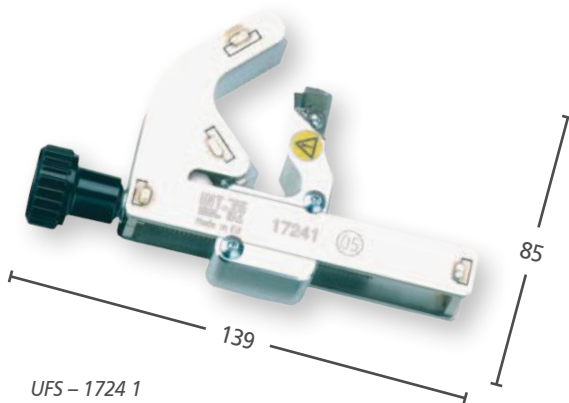
SET Equipment:

- IMS II - cable stripper 1723 1
- 2,5mm Allen wrench..... 1710 0
- Tube of silicone grease..... AG1013
- Rigid plastic case AB17230

CHAMFERING TOOL



Norm: EN10020



UFS - 1724 1



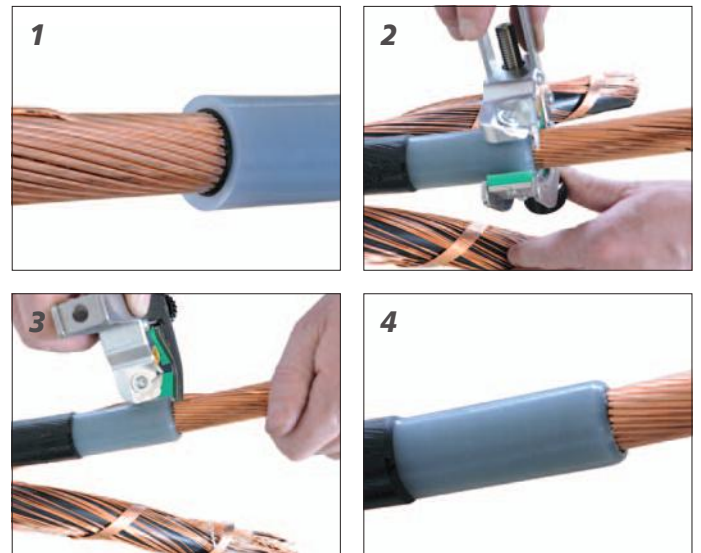
UFS-Set - 1724 0

UFS – Tool for Chamfering Primary Insulation

APPLICATION RANGE	ø 15 - 60 mm
SUGGESTED APPLICATION	Any type of primary insulation

Technical Characteristics:

- Designed for chamfered cuts of primary insulation of MV cables (2 x 45°)
- Positioning on the cable with a clamp system
- Tool fitted with PTFE plates ensuring optimal sliding on the cable without the use of silicone paste
- Replaceable blade
- Rotation diameter max. 130mm
- This tool is not suitable for pencilling



- SMALL SELFROTATING TO WORK ON LIMITED SPACE
- EASY HANDLING THROUGH 1 ADJUSTING KNOB
- UNIVERSAL UP TO 45 kV

Description	Order No.	Dimensions	Weight
Set: UFS	1724 0	170 x 50 x 90 mm	390 g
Spare blade	1724 2	-	-

Attention: not suitable for work under voltage

SET Equipment:

- UFS – tool for chamfered cuts of primary insulation 1724 1
- 2,5mm Allen wrench..... 1710 0
- Soft nylon case AB17130



Set – Stripping Tools - 1799 001

Suitable to strip the outer sheaths, semiconductive layer and to remove the primary insulation. Optimal equipment for the realization of the entire stripping procedure of most diverse cable types

Equipment:

- AIS - cable stripper 1719 6
- Feed lever..... 1719 4
- 10 x 14 Colored identification washers..... –
- 2 spare screws to fasten the blade 1719 7
- FBS – cable stripper 1722 1
- IMS II – cable stripper 1723 1
- Tube of silicone grease..... AG1013
- 2.5mm Allen wrench..... 1710 0
- Rigid plastic case 1799 000

Description	Order No.	Dimensions	Weight
Set: Stripping tools	1799 001	380 x 275 x 80 mm	4,0 kg



Set – Stripping Tools - 1799 002

Suitable to strip the outer sheaths, semiconductive layer and to remove the primary insulation. Optimal equipment for the realization of the entire stripping procedure of most diverse cable types

Equipment:

- Universal cable stripper - AMS AV6221
- FBS - cable stripper..... 1722 1
- IMS II - cable stripper 1723 1
- Tube of silicone grease..... AG1013
- Special electricians' scissors 1601 0
- Cable knife..... AV3920
- Rigid plastic case AG3000

Description	Order No.	Dimensions	Weight
Set: Stripping tools	1799 002	380 x 275 x 80 mm	3,0 kg

Optional (to be ordered separately):

- Handle IMS 20kV..... AV6300
- 4 Stripping inserts of your choice (see page 16) AV63...



Set – Stripping Tools for MV Cable

Suitable to strip the outer sheaths, semiconductive layer and to remove the primary insulation on 10 / 20 / 30 kV cables.

Standard Equipment:

- AMX cable stripper 1730 0
- Feed lever 1719 4
- AMS cable stripper without case AV6221
- FBS wire stripper 1722 1
- Cable stripper IMS II 1723 1
- UFS – tool for chamfered cuts of primary insulation 1724 1
- Tube of silicone grease AG1013
- Rigid plastic case AB17250

Description	Order No.	Dimensions	Weight
Set: Stripping MV Cable	1799 004	390 x 330 x 90 mm	3,4 kg



AMX - AIRBAG – Complete Cable Stripping Tool Set for AIRBAG-Cable

Designed for complete stripping of individual sheaths from AIRBAG cables. AMX stripping pliers can also cut into the POLYLAM jacket without touching the semiconductive layer below.

Standard Equipment:

- AMX cable stripper 1730 0
- Feed lever 1719 4
- AMS cable stripper without case AV6221
- FBS wire stripper 1722 1
- Handle for IMS AV6300
- Spec. 70mm² stripping insert 1716 012
- Spec. 185mm² stripping insert 1716 010
- 3 Spare blades for IMS insert AV6399
- Universal knife with blade guard AV3910
- 3 Spare blades for universal knife AV3911
- Special electrician's scissors 1601 0
- Round jacket spread 652 002
- Tube of silicone grease AG1013
- 2.5mm Allen wrench 1710 0
- Rigid plastic case AB17240

Description	Order No.	Dimensions	Weight
Set: AMX - AIRBAG	1721 0	380 x 275 x 80 mm	3,2 kg



1716 010 – Stripping insert for reduced insulation - section 185²



1716 012 – Stripping insert for reduced insulation - section 70²



MV cable Polylam Airbag

AIS - AIRBAG – Complete Cable Stripping Tool Set for AIRBAG-Cable

Designed for complete stripping of individual sheaths from AIRBAG cables. AIS - AIRBAG stripping pliers can also cut into the POLYLAM jacket without touching the semiconductive layer below.

Standard Equipment:

- AIS - AIRBAG cable stripper 1719 8
- Feed lever 1719 4
- 2 Blade fastening screws (spares) 1719 7
- Set of spare blades with washers 1719 9
- AMS cable stripper without case AV6221
- FBS wire stripper 1722 1
- Handle for IMS AV6300
- Spec. 70mm² stripping insert 1716 012
- Spec. 185mm² stripping insert 1716 010
- 3 Spare blades for IMS insert AV6399
- Universal knife with blade guard AV3910
- 3 Spare blades for universal knife AV3911
- Special electrician's scissors 1601 0
- Round jacket spread 652 002
- Tube of silicone grease AG1013
- 2.5mm Allen wrench 1710 0
- Rigid plastic case AB17200

Reduced Equipment:

- AIS - AIRBAG cable stripper 1719 8
- Feed lever 1719 4
- Blade fastening screws (spares) 1719 7
- Set of spare blades with washers –
- 2.5mm Allen wrench 1710 1
- Rigid plastic case AB17200

Description	Order No.	Dimensions	Weight
Set: AIS - AIRBAG	1720 0	380 x 275 x 80 mm	3,2 kg
Set: AIS - AIRBAG red.	1720 1	380 x 275 x 80 mm	1,9 kg





Tool Kit for Cable Jointers

Standard Equipment:

- Case.....AG2000
- 1/20 sliding caliper 150 mmAG1001
- Measuring rod 3 m 7406 030
- Steel brush for files.....AG1014
- Rasp without handleAG1005
- Half round file with handle.....AG1004
- Screwdriver slott.screws 3x100 mm FII 1301 030
- Screwdriver slott.screws 4x100 mm FII 1301 040
- Screwdriver slott.screws 5x125 mm FII 1301 055
- Ball-point screwdr.hex socket 6 mm FII..... 1305 060
- Mallet 300 g..... 7130 582
- Mallet Ø 35 mmAG1010
- Sheath spreaderAG1011
- Special electricians' scissors 1601 1
- Cable knife with interch. blade.....AV3920
- Spare blade for AV3920.....AV3921
- Knife with trapezoidal blade.....AV3910
- 3 Spare blades for AV3910AV3911
- High precision lens with light.....AG1012
- Universal pliers 180 mmAP0119 N
- Cable cutter 160 mmAP1017
- Tube of silicone grease.....AG1013
- 2.5 mm Allen wrench 1710 0



Codes for Kit with Individual Tools:

AG2020+...	A	B	C	D	E	F
	Ratchet cable cutter ø 54 mm	Cable stripper AMS (without case) (see page 7)	Stripper MV cables IMS20kV (without case) (see page 16)	Stripper non-vulc. semicon. - HLS (without case) (see page 15)	Stripper vulc. semicon. - FBS (without case) (see page 14)	Tool for chamfering prim. insulation - UFS (without case) (see page 18)
						

Example of ordering: AG2020ADF

Equipment:

- AG2020 - standard case
- A - ratchet cutter
- D - HLS stripper
- F - UFS chamfering tool

Description	Order No.	Dimensions	Weight
Standard tool kit	AG2020	450 x 380 x 200 mm	6,3 kg
Individual tool kit	AG2020...	450 x 380 x 200 mm	-
Empty case	AG2000	450 x 380 x 200 mm	3,7 kg

Insulation	Type	Order No.	Application range	Insulation thickness	Suggested application	1000V certified	Page
STRIPPING TOOLS FOR EXTERNAL INSULATION	AMS	AV6220	∅ > 25 mm	0 - 5 mm	PVC / Rubber		7
	AMS 1000V	17130	∅ > 25 mm	0 - 5 mm	PVC / Rubber	X	7
	AMS MAXI	AV6240	∅ > 45 mm	0 - 5 mm	PVC / Rubber / Polyethylene		8
	MSU	AE6210	∅ 24 - 60 mm	0 - 5 mm	Polyethylene / lead cables		9
	AMX	17300	∅ 16 - 54 mm	0 - 5 mm	Polyethylene / fully bonded Aluminium outer insulation		10
	AIS	17190	∅ 16 - 54 mm	0,5 - 5 mm	High density polyethylene	X	11
	FSI 150	17170	6 - 150 mm ²	Preadjusted stripping inserts	ABC cables (overhead, twisted, insulated)	X	12
	FSI	AE6200	2,5, 4, 6 and 10 mm ²		Rigid and flexible single pole	X	13
STRIPPING TOOLS FOR SEMICONDUCTOR	FBS	17220	∅ 10 - 52 mm	0 - 1,5 mm w	Vulcanized, extruded, bonded semiconductive layer		14
	HLS	AV6400	∅ 16 - 41 mm	0 - 2 mm	Non vulcanized, peelable semiconductive layer		15
STRIPPING TOOL FOR PRIMARY INSULATION	IMS 20 - 22kV	AV6310 + inserts	25 - 240 mm ²	Preadjusted stripping inserts	Any type of primary insulation		16
	IMS 10 - 11kV	AV6310 + inserts	25 - 240 mm ²	Preadjusted stripping inserts	Any type of primary insulation		16
	IMS II	17230	∅ 15 - 52 mm	0 - 15 mm	Any type of primary insulation		17

APPLICATION EXAMPLE



■ STRIPPING TOOLS FOR EXTERNAL INSULATION

- AMS
- AMS 1000V
- AMS MAXI
- MSU
- AMX
- AIS
- FSI 150
- FSI

■ STRIPPING TOOLS FOR SEMICONDUCTOR

- FBS (vulcanized / bonded / semiconductor)
- HLS (not vulcanized / semiconductor / peelable)

■ STRIPPING TOOL FOR PRIMARY INSULATION

- IMS 20kV
- IMS 10kV
- IMS II



Intercable cannot be held liable for any damages or injuries resulting from improper use or operation of the products depicted in this catalogue. Furthermore, Intercable reserves the right to change the products in this catalogue without further notice.
Sales conditions: see www.intercable.com

Intercable srl

Via Campi della Rienza, 21
I-39031 Brunico – ITALY
Tel. +39 0474 - 571700
Fax +39 0474 - 555511
export@intercable.com
www.intercable.com

intercable
TOOLS FOR PROFESSIONALS