

# RapidSTACK™

## RapidSTACK™

### Access Chamber Section

750mm x 600mm



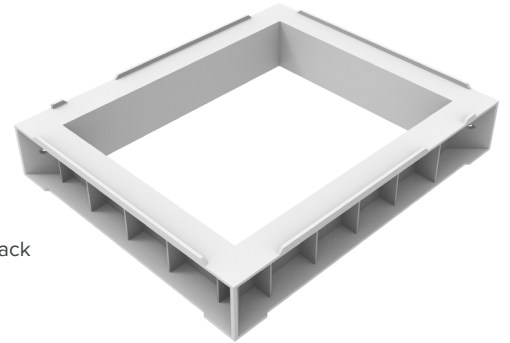
#### Product Description

RapidSTACK™ offers a modular, scalable solution made from 150mm deep riser sections which stack to offer flexibility in finished chamber depths.

#### Product Details

Clear Opening: 750mm x 600mm  
External Dimensions: 914mm x 764mm  
Stacking Depth: 150mm  
Actual Depth: 162mm

Weight: 15.2kg  
Product Code: CPRDRS-07500600  
Delivery Options: Assembled Ring or Flatpack



#### Materials Properties

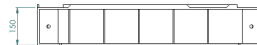
Material Profile	Glass Reinforced Polyester (GRP)	Grey
Tensile Strength	ISO 527-4	40MPa
Flexural Strength	ISO 14125	70MPa
Impact Strength	ISO 14125	20KJ/m <sup>2</sup>
Heat Distortion Temperature Range	ISO 75-2	>200°C
Density	ISO 1183	2 g/cm <sup>3</sup>
Water Absorption	ISO 62	<0.5
Fire Performance	UL 94	HB

#### Installation

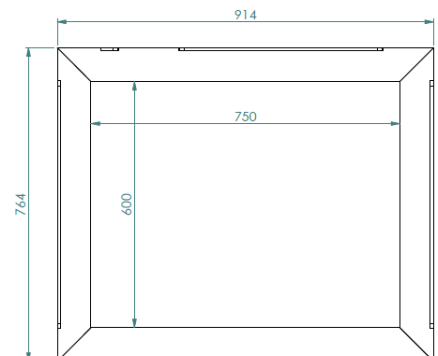
RapidSTACK™ has been tested to withstand vertical loads of EN124 D400. Please refer to the STAKKAbOX™ Installation Guide for installation details.

#### Key Features

- Fast and easy to install
- Variability in size
- Flat pack option



RapidSTACK™ cross-section detail



RapidSTACK™ cross-section top view



Scan for access to technical documents library

CPRDRS-750X600 V.01 01/08/2019