

STAKKAbox™ ULTIMA Connect

Access Chamber Section

1000mm x 1000mm

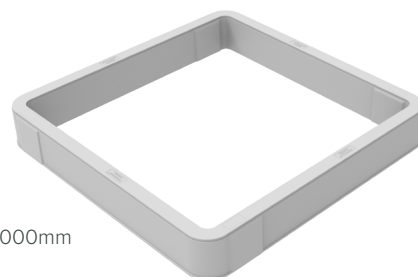


Product Description

STAKKAbox™ ULTIMA Connect offers a modular scalable solution built on-site with easily connectable corner pieces and sidewall lengths. Being used in conjunction additional chamber sizes specified by the contractor can be made.

Product Details

Clear Opening:	1000mm x 1000mm	Weight:	24.0kg	Corners:	4 x 1000mm
External Dimensions:	1135mm x 1135mm	Product Code:	CPUCRS-10001000	Sidewalls:	N/A
Stacking Depth:	150mm	Delivery Options:	Assembled Ring or Flatpack	Pegs:	4
Actual Depth:	160mm				



Materials Properties

Material Profile	Glass Reinforced Polyester (GRP)	Grey
Tensile Strength	ISO 527-4	62 MPa
Flexural Strength	ISO 14125	142 MPa
Flexural Modulus	ISO 14125	9.6 GPa
Impact Strength	ISO 179	50 kJ/m ²
Heat Distortion Temperature Range	ISO 75-2	>200 °C
Density	ISO 1183	1.7 g/cm ³
Water Absorption	ISO 62	≤0.5%
Volume Resistivity	IEC 60093	1.00E12 ohm.cm
Fire Performance	UL 94	HB to V0
Limited Oxygen Index	ISO 4589-2	27%

Installation

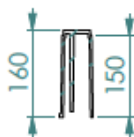
STAKKAbox™ ULTIMA Connect has been tested to withstand vertical loads of EN124 E600. Please refer to the STAKKAbox™ Installation Guide for installation details.

Key Features

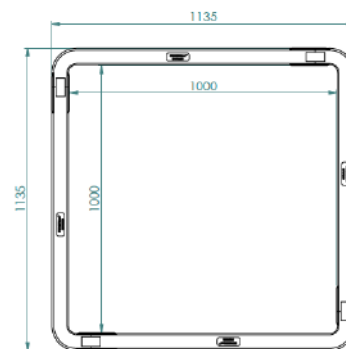
- Variable in size
- Lightweight
- Fast and easy to install



Scan for access to technical documents library



ULTIMA Connect cross-section detail



ULTIMA Connect cross-section top view

CPUC-10001000 V.01 14/01/2019

DISCLAIMER: STAKKAbox™ ULTIMA Connect is a configurable product, thus separate chambers can be constructed using different combinations of component parts. Specific component combinations can be accommodated upon request.