

20 A

U MAX
500 V

DECONTACTOR™ DN8



- IP54⁽¹⁾
IP55⁽²⁾
- 1-6 mm² ⁽³⁾
1,5-10 mm² ⁽⁴⁾
- METAL
- IK09
- 40 °C
+60 °C
- AC-22
- 60309-1
60309-4
60947-3
- EMC

(1) IP protection plug connected.
(2) IP protection lid closed.
(3) Flexible wiring (min.-max.).
(4) Stranded wiring (min.-max.).



Other cable sections:
please contact us

LOAD-BREAK CAPABILITY OF THE DECONTACTOR™		
Comply with IEC/EN 60309-1 and IEC/EN 60309-4 standards		20 A/500 V AC
Load-break capability according to IEC/EN 60947-3/AC-22		20 A/400 V
		10 A/500 V

**SOCKET-
OUTLET** female
DN8



INLET male
DN8



Voltage	Contact Config	Socket-outlet Ref.	Inlet Ref.
20-24 V AC	2P	198408A	198808A
220-250 V AC	1P+N+E	1984015	1988015
380-440 V AC	3P+E	1984013	1988013
220-250 V AC / 380-440 V AC	3P+N+E	1984017	1988017
480-500 V AC	3P+E	1984093	1988093
480-500 V AC	3P+N+E	1984097	1988097

Dual-voltage
socket-outlet

► Other currents, voltages, frequencies and contact configurations are available.

OPTIONS Reference

INDUSTRIAL/DOMESTIC ADAPTERS

Industrial inlet MARECHAL® 1P+N+E and domestic socket-outlet 10/16 A 230 V fuse protection 10 A and 16 A (with integrated fuse). All these plug adapters are available to local standards: replace D11 by D40 for UK, D30 for Germany/Netherlands/Luxembourg, D06 for Italy.

	1988015D11
--	------------

LOCKING PIN FOR 3 PADLOCKS Ø 8 mm (PADLOCK NOT SUPPLIED)

	Socket-outlet ref. + 844
--	--------------------------

SAFETY HASP FOR UP TO 6 PADLOCKS

	873A541
--	---------

LARGER RELEASE BUTTON

	Socket-outlet ref. +453
--	-------------------------

INLET CAP

	198A126
--	---------

180° OPENING LID

	Socket-outlet ref. +10
--	------------------------

SELF-RETURNING LID (WITHOUT FULL CLOSURE IP40)

	Socket-outlet ref. +R
--	-----------------------

180° OPENING & SELF-RETURNING LID

	Socket-outlet ref. +18
--	------------------------

IP66/IP67 SOCKET-OUTLET AND INLET (RECOMMENDED IN THE CASE OF COUPLER SOCKET)

Ref. + 600

ELECTROMAGNETIC COMPATIBILITY (EMC) NEW

Please order a metal threaded accessory herewith, together with a EMC cable gland.

PRODUCTS AVAILABLE IN BLACK

The black dot means these products are also available in black color. Replace the second character of the product reference with 5

PRODUCT WITH ANTI-BACTERIAL TREATMENT NEW

This sticker means that the product is also available with an antibacterial treatment. Add the suffix AG to the reference. For more information on anti-bacterial treated handles please consult us.

SLEEVE Reference

POLY SLEEVE

	30°	512M3
	70°	512M7

METAL SLEEVE

	0° [Straight]	592M0
	30°	592M3

BOXES Input Reference

POLY BOX

	30°	M20	512B3M20
	30°	M25	512B3M25

METAL BOX (+ EARTHING WIRE)

	20°	M20	592B2M20
	20°	M25	592B2M25

POLY BOX+ POLY SLEEVE

	70°	Without hole	512C7000
	70°	Hole Ø 20	512C7M20
	70°	Hole Ø 25	512C7M25
	70°	Hole Ø 32	512C7M32
	70°	Hole Ø 40	512C7M40

METAL BOX (+ EARTHING WIRE) + POLY SLEEVE

	30°	M20	512C3M20
	30°	M25	512C3M25
	30°	M32	512C3M32
	30°	M40	512C3M40

METAL BOX (+ EARTHING WIRE) + METAL SLEEVE

	30°	M20	592C3M20
	30°	M25	592C3M25
	30°	M32	592C3M32
	0° [Straight]	M20	592C0M20
	0° [Straight]	M25	592C0M25
	0° [Straight]	M32	592C0M32

Cable glands are not delivered with the boxes.

HANDLE Input/ Cable outer Ø Reference

POLY HANDLE WITH GLAND

	5-21 mm	512P0D21
--	---------	----------

POLY HANDLE + POLY CABLE GLAND

	5-12 mm	512P020P
	9-18 mm	512P025P
	14-25 mm	512P032P
	18-32 mm	512P040P

POLY HANDLE (WITHOUT CABLE GLAND)

	M20	512P0M20
	M25	512P0M25
	M32	512P0M32
	M40	512P0M40

METAL HANDLE WITH METAL GLAND (+ EARTHING WIRE)

	7-13 mm	592P020M
	8-16 mm	592P025M
	16-24 mm	592P032M

METAL HANDLE METRIC THREAD ENTRY (WITHOUT CABLE GLAND)

	M20	592P0M20
	M25	592P0M25
	M32	592P0M32

30 A

U MAX
500 V

DECONTACTOR™ DN1



- IP54⁽¹⁾
IP55⁽²⁾
- 2,5-6 mm² ⁽³⁾
2,5-10 mm² ⁽⁴⁾
- METAL
- IK09
- 40 °C
+60 °C
- AC-22
- 60309-1
60309-4
60947-3
- EMC

(1) IP protection plug connected.
(2) IP protection lid closed.
(3) Flexible wiring (min.-max.).
(4) Stranded wiring (min.-max.).

LOAD-BREAK CAPABILITY OF THE DECONTACTOR™			
Comply with IEC/EN 60309-1 and IEC/EN 60309-4 standards			30 A/500 V AC
Load-break capability according to IEC/EN 60947-3/AC-22			30 A/400 V
			16 A/500 V

! Other cable sections:
please contact us



Voltage (V AC)	Contact Config	Reference 1	Reference 2
20-24 V AC	2P	191408A	191808A
220-250 V AC	1P+N+E	1914015	1918015
380-440 V AC	3P+E	1914013	1918013
220-250 V AC / 380-440 V AC	3P+N+E	1914017	1918017
480-500 V AC	3P+E	1914093	1918093
480-500 V AC	3P+N+E	1914097	1918097

► Other currents, voltages, frequencies and contact configurations are available.

Dual-voltage
socket-outlet

OPTIONS	Reference
LOCKING PIN FOR 3 PADLOCKS Ø 8 mm (PADLOCK NOT SUPPLIED)	
	Socket-outlet ref. + 844
SAFETY HASP FOR UP TO 6 PADLOCKS	
	873A541
LARGER RELEASE BUTTON	
	Socket-outlet ref. +453
INLET CAP	
	191A126
180° OPENING LID	
	Socket-outlet ref. +10
SELF-RETURNING LID (WITHOUT FULL CLOSURE IP40)	
	Socket-outlet ref. +R
180° OPENING & SELF-RETURNING LID	
	Socket-outlet ref. +18
IP66/IP67 SOCKET-OUTLET AND INLET (RECOMMENDED IN THE CASE OF COUPLER SOCKET)	
	Ref. + 600

ELECTROMAGNETIC COMPATIBILITY (EMC) ● **NEW**
Please order a metal threaded accessory herewith, together with a EMC cable gland.

PRODUCTS AVAILABLE IN BLACK ●
The black dot means these products are also available in black color. Replace the second character of the product reference with 5

PRODUCT WITH ANTI-BACTERIAL TREATMENT ● **NEW**
This sticker means that the product is also available with an antibacterial treatment. Add the suffix AG to the reference. For more information on anti-bacterial treated handles please consult us.

HANDLE	Input/ Cable outer Ø	Reference
POLY HANDLE WITH GLAND		
	10-30 mm	513P0D30
POLY HANDLE + POLY CABLE GLAND		
	9-18 mm	513P025P
	14-25 mm	513P032P
	18-32 mm	513P040P
POLY HANDLE (WITHOUT CABLE GLAND)		
	M20	513P0M20
	M25	513P0M25
	M32	513P0M32
	M40	513P0M40
METAL HANDLE WITH METAL GLAND (+ EARTHING WIRE)		
	7-13 mm	593P020M
	8-16 mm	593P025M
	16-24 mm	593P032M
	22-32 mm	593P040M
METAL HANDLE METRIC THREAD ENTRY (WITHOUT CABLE GLAND)		
	M20	593P0M20
	M25	593P0M25
	M32	593P0M32
	M40	593P0M40

BOXES	∠x°	Input	Reference
POLY BOX			
	30°	M25	513B3M25
METAL BOX (+ EARTHING WIRE)			
	20°	M20	593B2M20
	20°	M25	593B2M25
	20°	M32	593B2M32
POLY BOX+ POLY SLEEVE			
	70°	Without hole	513C7000
	70°	Hole Ø 25	513C7M25
Extra earth bar ref: 51AA089	70°	Hole Ø 32	513C7M32
	70°	Hole Ø 40	513C7M40
METAL BOX (+ EARTHING WIRE) + POLY SLEEVE			
	30°	M20	513C3M20
	30°	M25	513C3M25
	30°	M32	513C3M32
	30°	M40	513C3M40
METAL BOX (+ EARTHING WIRE) + METAL SLEEVE			
	30°	M20	593C3M20
	30°	M25	593C3M25
	30°	M32	593C3M32
	30°	M40	593C3M40
	0° (Straight)	M20	593C0M20
	0° (Straight)	M25	593C0M25
	0° (Straight)	M32	593C0M32
	0° (Straight)	M40	593C0M40
	70°	M20	593C7M20
	70°	M25	593C7M25
	70°	M32	593C7M32
	70°	M40	593C7M40

Cable glands are not delivered with the boxes.

SLEEVE	∠x°	Reference
POLY SLEEVE		
	30°	513M3
	70°	513M7
METAL SLEEVE		
	0° (Straight)	593M0
	30°	593M3
	70°	593M7

50 A

U MAX
500 V

DECONTACTOR™ DN3



- IP54⁽¹⁾
IP55⁽²⁾
- 2,5-16 mm² ⁽³⁾
2,5-25 mm² ⁽⁴⁾
- METAL
- IK09
- 40 °C
+60 °C
- AC-22
- 60309-1
60309-4
60947-3
- EMC

(1) IP protection plug connected.
(2) IP protection lid closed.
(3) Flexible wiring (min.-max.).
(4) Stranded wiring (min.-max.).

! Other cable sections:
please contact us

LOAD-BREAK CAPABILITY OF THE DECONTACTOR™		
Comply with IEC/EN 60309-1 and IEC/EN 60309-4 standards		50 A/500 V AC
Load-break capability according to IEC/EN 60947-3/AC-22		50 A/400 V
		32 A/500 V



Voltage	Contact Config	Product Ref	Accessories Ref
20-24 V AC	2P	193408A	193808A
220-250 V AC	1P+N+E	1934015	1938015
380-440 V AC	3P+E	1934013	1938013
220-250 V AC / 380-440 V AC	3P+N+E	1934017	1938017
480-500 V AC	3P+E	1934093	1938093
480-500 V AC	3P+N+E	1934097	1938097

Dual-voltage
socket-outlet

► Other currents, voltages, frequencies and contact configurations are available.

OPTIONS Reference

- LOCKING PIN FOR 3 PADLOCKS Ø 8 mm (PADLOCK NOT SUPPLIED)**
Socket-outlet ref. + 844
- SAFETY HASP FOR UP TO 6 PADLOCKS**
873A541
- LARGER RELEASE BUTTON**
Socket-outlet ref. +453
- INLET CAP**
193A126
- 180° OPENING LID**
Socket-outlet ref. +10
- SELF-RETURNING LID (WITHOUT FULL CLOSURE IP40)**
Socket-outlet ref. +R
- 180° OPENING & SELF-RETURNING LID**
Socket-outlet ref. +18
- IP66/IP67 SOCKET-OUTLET AND INLET (RECOMMENDED IN THE CASE OF COUPLER SOCKET)**
Ref. + 600

ELECTROMAGNETIC COMPATIBILITY (EMC) NEW
Please order a metal threaded accessory herewith, together with a EMC cable gland.

PRODUCTS AVAILABLE IN BLACK
The black dot means these products are also available in black color. Replace the second character of the product reference with 5

HANDLE Input/
Cable outer Ø Reference

- POLY HANDLE WITH GLAND**
 - 18-25 mm 554P0D25L
 - 25-35 mm 554P0D35L
 - 35-45 mm 554P0D45L
 - 45-49 mm 554P0D49L
- POLY HANDLE WITH GLAND**
 - 13-35 mm 514P0D35
- POLY HANDLE + POLY CABLE GLAND**
 - 14-25 mm 514P032P
 - 18-32 mm 514P040P
 - 24-38 mm 514P050P
- POLY HANDLE (WITHOUT CABLE GLAND)**
 - M32 514P0M32
 - M40 514P0M40
 - M50 514P0M50
- METAL HANDLE METRIC THREAD ENTRY (WITHOUT CABLE GLAND)**
 - M25 594P0M25
 - M32 594P0M32
 - M40 594P0M40
 - M50 594P0M50

HANDLE Input/
Cable outer Ø Reference

- METAL HANDLE WITH METAL GLAND (+ EARTHING WIRE)**
 - 8-16 mm 594P025M
 - 16-24 mm 594P032M
 - 22-32 mm 594P040M
 - 34-44 mm 594P050M

BOXES Input Reference

- POLY BOX**
 - 30° M32 514B3M32
 - 30° M40 514B3M40
- METAL BOX (+ EARTHING WIRE)**
 - 20° M25 594B2M25
 - 20° M32 594B2M32
 - 20° M40 594B2M40
- POLY BOX+ POLY SLEEVE**
 - 70° Without hole 514C7000
 - 70° Hole Ø 32 514C7M32
 - 70° Hole Ø 40 514C7M40

- METAL BOX (+ EARTHING WIRE) + POLY SLEEVE**
 - 30° M25 514C3M25
 - 30° M32 514C3M32
 - 30° M40 514C3M40
 - 30° M50 514C3M50

- METAL BOX (+ EARTHING WIRE) + METAL SLEEVE**
 - 30° M25 594C3M25
 - 30° M32 594C3M32
 - 30° M40 594C3M40
 - 30° M50 594C3M50
 - 0° (Straight) M25 594C0M25
 - 0° (Straight) M32 594C0M32
 - 0° (Straight) M40 594C0M40
 - 0° (Straight) M50 594C0M50
 - 70° M25 594C7M25
 - 70° M32 594C7M32
 - 70° M40 594C7M40
 - 70° M50 594C7M50

Cable glands are not delivered with the boxes.

SLEEVE Reference

- POLY SLEEVE**
 - 30° 514M3
 - 70° 514M7
- METAL SLEEVE**
 - 0° (Straight) 594M0
 - 30° 594M3
 - 70° 594M7

90 A

U MAX
500 V

DECONTACTOR™ DN6



IP54 ⁽¹⁾ IP55 ⁽²⁾	10-25 mm ² ⁽³⁾ 10-35 mm ² ⁽⁴⁾	METAL	IK09	-40 °C +60 °C	AC-22	60309-1 60309-4 60947-3	EMC

(1) IP protection plug connected.
(2) IP protection lid closed.
(3) Flexible wiring (min.-max.).
(4) Stranded wiring (min.-max.).



Other cable sections:
please contact us

LOAD-BREAK CAPABILITY OF THE DECONTACTOR™		
Comply with IEC/EN 60309-1 and IEC/EN 60309-4 standards		90 A/500 V AC
Load-break capability according to IEC/EN 60947-3/AC-22		90 A/400 V
		63 A/500 V

**SOCKET-
OUTLET** female
DN6



INLET male
DN6



20-24 V AC	2P	196408A	196808A
220-250 V AC	1P+N+E	1964015	1968015
380-440 V AC	3P+E	1964013	1968013
220-250 V AC 380-440 V AC	3P+N+E	1964017	1968017
480-500 V AC	3P+E	1964093	1968093
480-500 V AC	3P+N+E	1964097	1968097
Auxiliaries 5 A/400 V AC	+ 4 contacts	Ref. + 264	Ref. + 264

► Other currents, voltages, frequencies and contact configurations are available.

Dual-voltage
socket-outlet

DN6 90 A

OPTIONS Reference

LOCKING PIN FOR 3 PADLOCKS Ø 8 mm (PADLOCK NOT SUPPLIED)



SAFETY HASP FOR UP TO 6 PADLOCKS



LARGER RELEASE BUTTON



INLET CAP



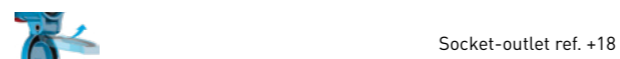
180° OPENING LID



SELF-RETURNING LID (WITHOUT FULL CLOSURE IP40)



180° OPENING & SELF-RETURNING LID



CLOSING MECHANISM



IP66/IP67 SOCKET-OUTLET AND INLET (RECOMMENDED IN THE CASE OF COUPLER SOCKET)



ELECTROMAGNETIC COMPATIBILITY (EMC) **NEW**

Please order a metal threaded accessory herewith, together with a EMC cable gland.

HANDLE Input/Cable outer Ø Reference

POLY HANDLE WITH GLAND

18-25 mm	555P0D25
25-35 mm	555P0D35
35-45 mm	555P0D45
45-49 mm	555P0D49

POLY HANDLE + POLY CABLE GLAND

14-25 mm	515P032P
18-32 mm	515P040P
24-38 mm	515P050P
35-48 mm	515P063P

POLY HANDLE (WITHOUT CABLE GLAND)

M50	515P0M50
M63	515P0M63

METAL HANDLE WITH METAL GLAND (+ EARTHING WIRE)

16-24 mm	595P032M
22-32 mm	595P040M
34-44 mm	595P050M
35-48 mm	595P063M

METAL HANDLE METRIC THREAD ENTRY (WITHOUT CABLE GLAND)

M32	595P0M32
M40	595P0M40
M50	595P0M50
M63	595P0M63

BOXES α° Input Reference

METAL BOX (+ EARTHING WIRE) + POLY SLEEVE

30°	M32	515C3M32
30°	M40	515C3M40
30°	M50	515C3M50
30°	M63	515C3M63

METAL BOX (+ EARTHING WIRE) + METAL SLEEVE

30°	M32	595C3M32
30°	M40	595C3M40
30°	M50	595C3M50
30°	M63	595C3M63

0° (Straight)	M32	595C0M32
0° (Straight)	M40	595C0M40
0° (Straight)	M50	595C0M50
0° (Straight)	M63	595C0M63

70°	M32	595C7M32
70°	M40	595C7M40
70°	M50	595C7M50
70°	M63	595C7M63

METAL BOX (+ EARTHING WIRE) + METAL SLEEVE + CORNET

0° (Straight)	M50	595E0M50
30°	M50	595E3M50
30°	M63	595E3M63
70°	M50	595E7M50
70°	M63	595E7M63

Cable glands are not delivered with the boxes.

SLEEVE α° Reference

SLEEVE POLY

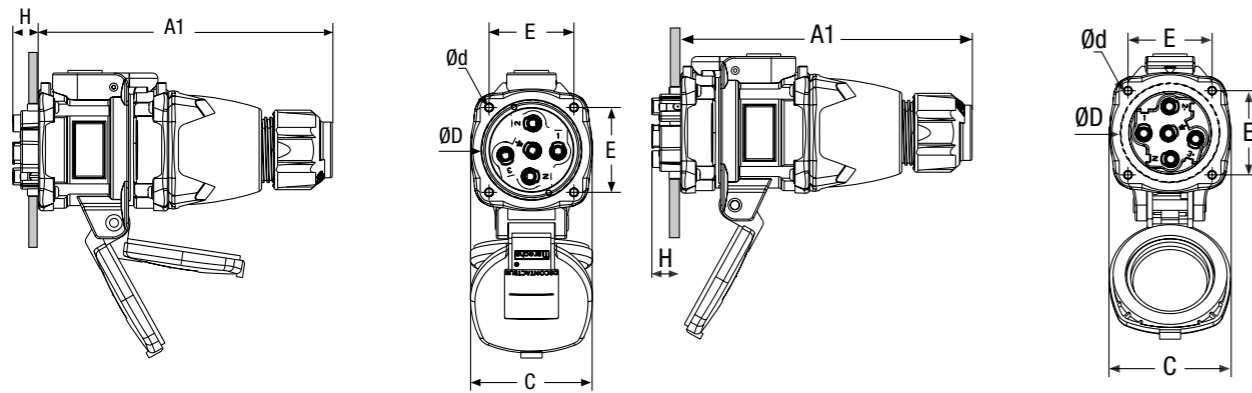
30°	515M3
-----	-------

METAL SLEEVE

0° (Straight)	595M0
30°	595M3
70°	595M7

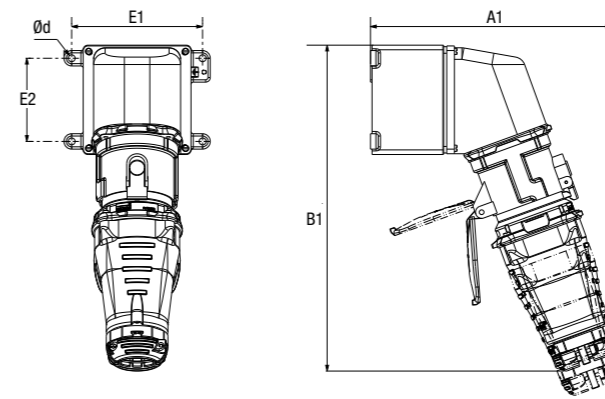
DRAWINGS AND DIMENSIONS

PLUG ON SOCKET-OUTLET



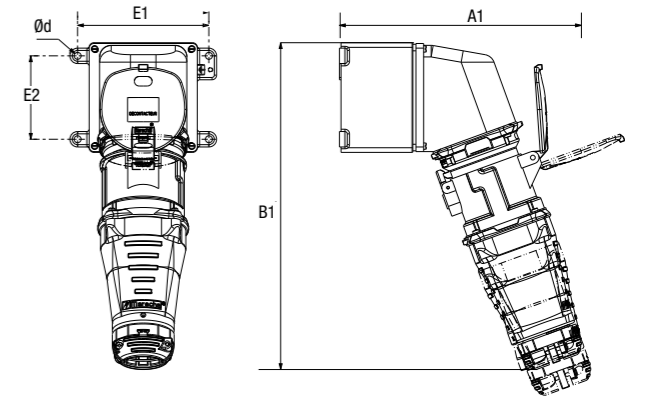
	A1	C	E	H	Ød*
DN8	174	69	48	12	5
DN1	174	81	55	15	5
DN3	212	95	66	22	5,5
DN6	311	118	81	25	6

PLUG ON 30° INCLINED SOCKET-OUTLET

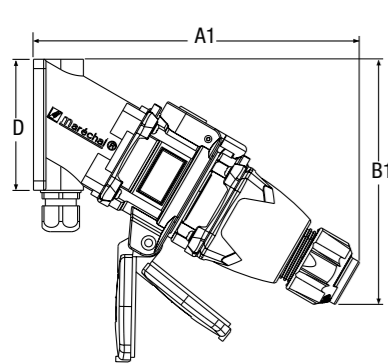


	A2	B2	E1	E2	Ød*
DN1	203	267	110	70	6,5
DN3	239	320	145	97	8,5
DN6	313	423	190	108	9

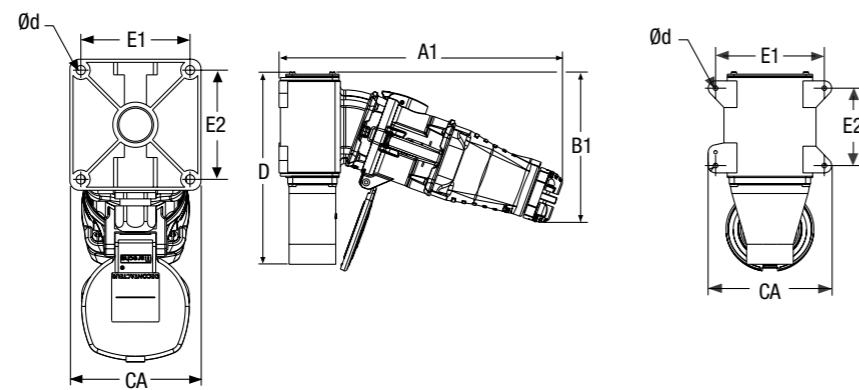
PLUG ON 70° INCLINED SOCKET-OUTLET



PLUG ON 30° WALL MOUNTED SOCKET OUTLET

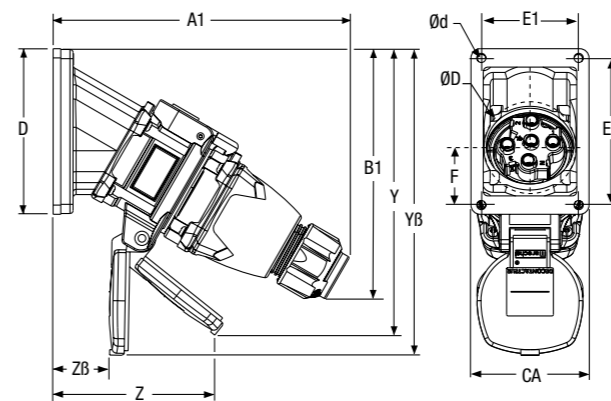


PLUG ON 70° WALL-MOUNTED SOCKET-OUTLET



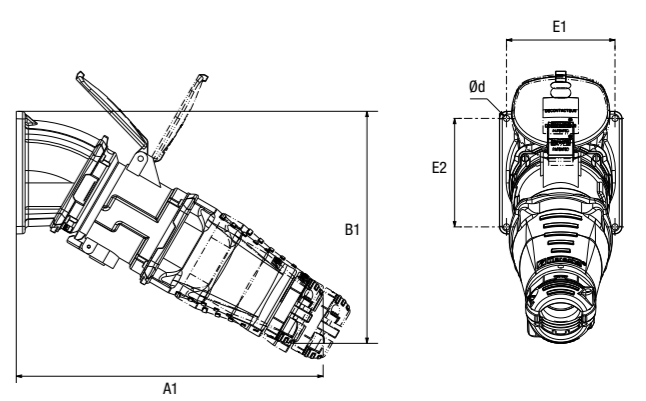
	A1	B1	CA	D	E1	E2	Ød*
DN8	198	143	76	76	64	64	5,5
DN1	221	160	85	85	72	72	6
DN3	266	190	105	130	89	112	7
DN6	385	216	125	150	105	105	8

PLUG ON 30° INCLINED SOCKET-OUTLET

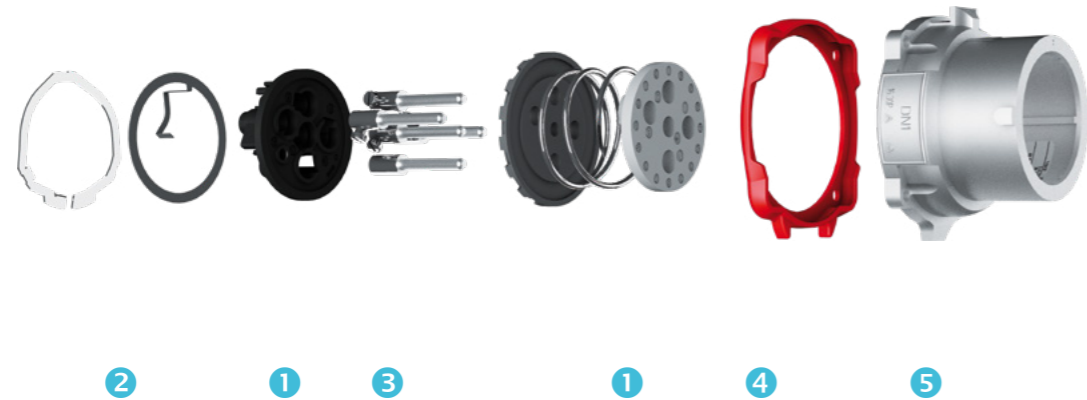




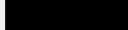
	A1	b1	D	E1	E2	Ød*
DN8	189	168	108	63	95	5,5
DN1	104	178	107	63	95	5,5
DN3	242	220	136	87	122	6,5
DN6	350	265	140	124	124	7

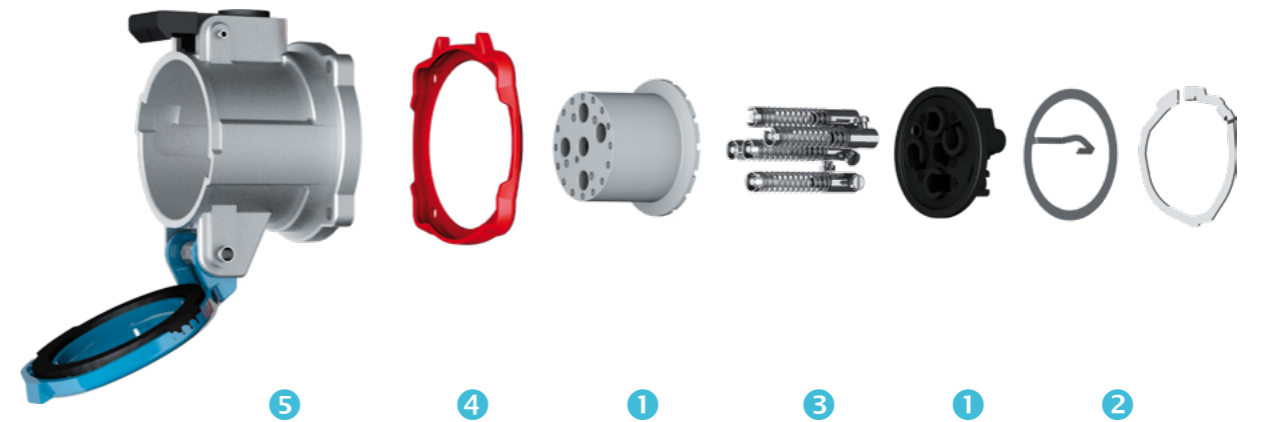
PLUG ON 70° INCLINED SOCKET-OUTLET



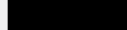


SPARE PARTS



FICHE	DN8 METAL	DN1 METAL	DN3 METAL	DN6 METAL
1 Plug interior	198A110	191A110	193A110	196A110
2 Locking ring	198A583	191A583	193A583	196A583
3 Plug contact (P or N)	198A011	191A011	193A011	196A011
4 Color-coded voltage gasket	 311AB26	313AB26	316AB26	319AB26
	 311AR26	313AR26	316AR26	319AR26
	 311AN26	313AN26	316AN26	319AN26
5 Plug casing	198A501	191A501	193A501	196A501



SOCLE	DN8 METAL	DN1 METAL	DN3 METAL	DN6 METAL
1 Plug interior	198A220	191A220	193A220	196A220
2 Locking ring	198A583	191A583	193A583	196A583
3 Plug contact (P or N)	198A021	191A021	193A021	196A021
4 Color-coded voltage gasket	 311AB26	313AB26	316AB26	319AB26
	 311AR26	313AR26	316AR26	319AR26
	 311AN26	313AN26	316AN26	319AN26
5 Plug casing	198A524	191A524	193A524	196A524

Warning! DN8 and DN1 metal are supplied with a poly lid as standard, but can be supplied with a metal lid, in particular for IP66 and IP67 protection.