

16-30 A

U MAX
500 V AC
750 V DC

INDUSTRIAL PLUG PN

INSTRUCTIONS FOR USE



IP66
IP67



1-6 mm² ⁽¹⁾
1,5-10 mm² ⁽²⁾



GRP
METAL



IK09



-40 °C
+60 °C



EMC
METAL

(1) Flexible wiring (min.-max.).
(2) Stranded wiring (min.-max.).



Other configurations
on request.

GRP devices are not
compatible with metal
devices.



For a black colour
GRP housing replace
the second reference
character with 5.

Dual-voltage
socket-outlet
(see p. 22)

GRP	SOCKET-OUTLET female PN	INLET male PN
------------	---	--------------------------------

20-24 V AC	2P	01N408A	01N808A
190-250 V AC	1P+N+E	01N4015	01N8015
380-440 V AC	3P+E	01N4013	01N8013
190-250 V AC 380-440 V AC	3P+N+E	01N4017	01N8017
480-500 V AC	3P+E	01N4093	01N8093
480-500 V AC	3P+N+E	01N4097	01N8097

► Other currents, voltages, frequencies and contact configurations are available (see page 21).

METAL	SOCKET-OUTLET female PN	INLET male PN
--------------	---	--------------------------------

20-24 V AC	2P	09N408A	09N808A
190-250 V AC	1P+N+E	09N4015	09N8015
380-440 V AC	3P+E	09N4013	09N8013
190-250 V AC 380-440 V AC	3P+N+E	09N4017	09N8017
480-500 V AC	3P+E	09N4093	09N8093
480-500 V AC	3P+N+E	09N4097	09N8097

► Other currents, voltages, frequencies and contact configurations are available (see page 21).

OPTIONS Reference

INDUSTRIAL/DOMESTIC ADAPTERS

Industrial inlet MARECHAL® 1P+N+E and domestic socket-outlet 16 A with integrated fuse.
All these plug adapters are available to local standards: replace D11 by D40 for UK, D30 for Germany/Netherlands/Luxembourg, D06 for Italy.

	01N8015D11
--	------------

LOCKING FOR 1 PADLOCK Ø 4 mm (WITHOUT SHAFT)

	Ref. + 843
--	------------

SCREW LOCKING IMPRINT BTR 2,5

	Socket-outlet ref. + 22
--	-------------------------

REVERSED INTERIOR AND CONTACTS

	The connector is supplied with a rubber inlet cap.	Inlet ref. + 001 Socket-outlet ref. + 001
--	--	--

IP55 SOCKET-OUTLET SELF-CLOSING LID

	Replace N by S Ex: 400 V 3P+N+E poly = 01S4017
--	---

INLET CAP IP66/IP67

	01NA426
--	---------

180° OPENING LID

	Socket-outlet ref. + 10
--	-------------------------

SELF CLOSING/Self RETURNING LID

	Socket-outlet ref. + R
--	------------------------

180° OPENING + SELF-RETURNING LID

	Socket-outlet ref. + 18
--	-------------------------

ELECTROMAGNETIC COMPATIBILITY (EMC)

Please order a metal threaded accessory herewith, together with a EMC cable gland to be found on page 352.

PRODUCTS AVAILABLE IN BLACK

The black dot means these products are also available in black color. Replace the second character of the product reference with 5

PRODUCT WITH ANTI-BACTERIAL TREATMENT

This sticker means that the product is also available with an antibacterial treatment. Add the suffix AG to the reference.

SLEEVE Reference

POLY SLEEVE		
	30°	511M3
	70°	511M7

METAL SLEEVE		
	0° (Straight)	591M0
	30°	591M3
	45°	591M4

BOXES Input Reference

POLY BOX			
	0° (Straight)	M20	511B0M20
	0° (Straight)	M25	511B0M25
	30°	M20	511B3M20
	30°	M25	511B3M25

METAL BOX (+ EARTHING WIRE)

	0° (Straight)	M20	591B0M20
	0° (Straight)	M25	591B0M25

POLY BOX + POLY SLEEVE

	70°	Without hole	511C7000
	70°	Hole Ø 20	511C7M20
Earth bar ref. : 51AA089	70°	Hole Ø 25	511C7M25
	70°	Hole Ø 32	511C7M32

METAL BOX (+ EARTHING WIRE) + POLY SLEEVE

	30°	M20	511C3M20
--	-----	-----	----------

METAL BOX (+ EARTHING WIRE) + METAL SLEEVE

	45°	M20	591C4M20
	45°	M25	591C4M25
	45°	M32	591C4M32

Table of cable glands on page 352.

HANDLE Input/Cable outer Ø Reference

POLY HANDLE WITH GLAND		
	9-18 mm	511P0D18
	5-21 mm	511P0D21
	60° 9-18 mm	511P6D18

POLY HANDLE + POLY CABLE GLAND

	5-12 mm	511P020P
	9-18 mm	511P025P
	14-25 mm	511P032P

METAL HANDLE WITH METAL GLAND (+ EARTHING WIRE)

	7-13 mm	591P020M
	8-16 mm	591P025M
	16-24 mm	591P032M

POLY HANDLE (PE PAGE 352)

	M20	511P0M20
	M25	511P0M25
	M32	511P0M32

METAL HANDLE METRIC THREAD ENTRY (PE PAGE 352)

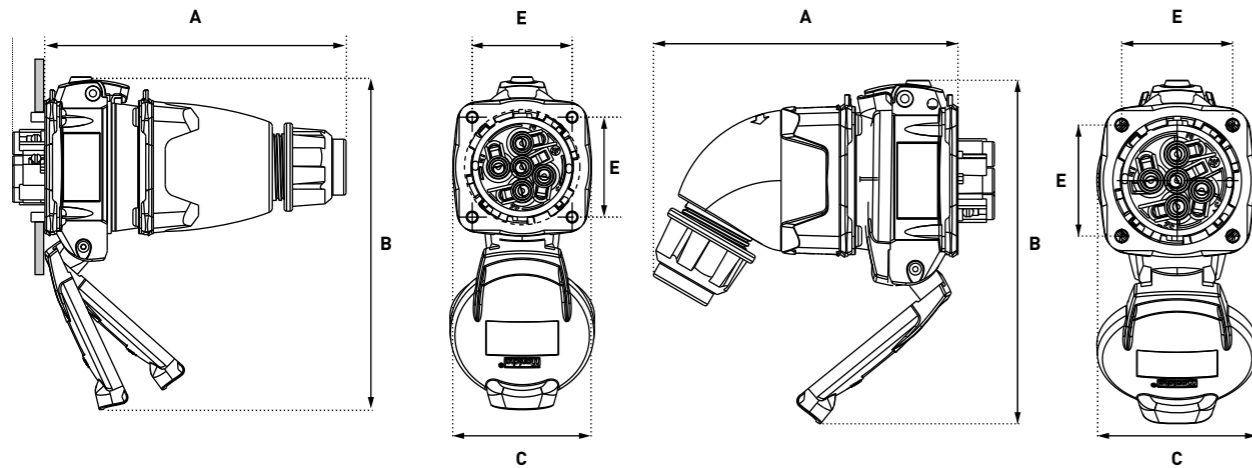
	M20	591P0M20
	M25	591P0M25
	M32	591P0M32

DRAWINGS AND DIMENSIONS



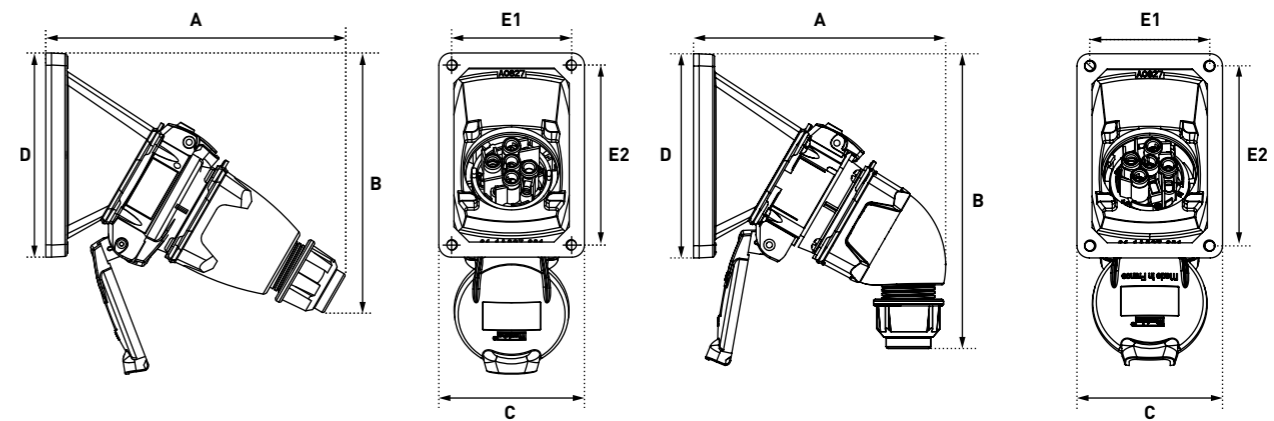
DOWNLOAD THE DRAWINGS ON OUR WEBSITE marechal.com

PLUG ON SOCKET-OUTLET



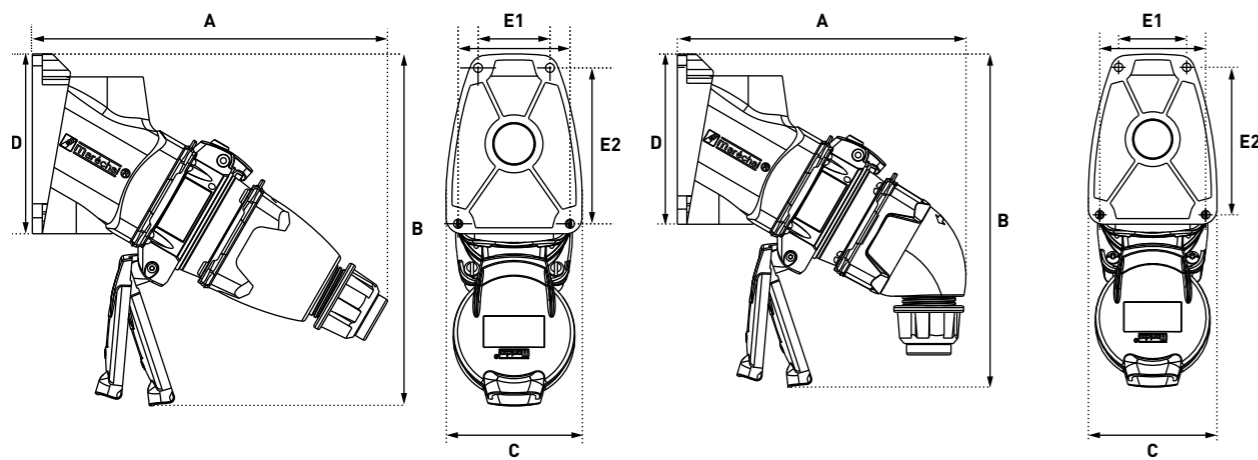
	A	B	C	E
Straight handle	127	140	58	42
Angled handle	117	138	61	42

PLUG ON 30° INCLINED SOCKET-OUTLET



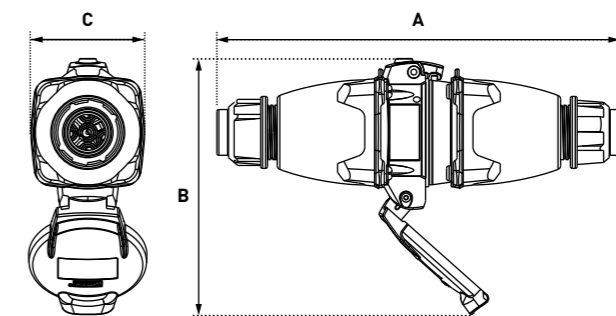
	A	B	C	D	E1	E2
Straight handle	160	170	77	108	64	95
Angled handle	133	165	77	108	64	95

PLUG ON 30° WALL MOUNTED SOCKET-OUTLET



	A	B	C	D	E1	E2
Straight handle	178	176	68	90	36/56	78
Angled handle	153	176	68	90	36/56	78

COUPLER



	A	B	C
Straight handle	208	132	58