

800 A

U MAX
1000 V AC
1500 V DC

SINGLE POLE POWER CONNECTOR SP

INSTRUCTIONS FOR USE



IP66
IP67

SEE
TABLE

GRP

IK08

-40 °C
+60 °C

+2 PIL.

LEVER MECHANISM TO BE ORDERED SEPARATELY
Compatible with socket or inlet since 2018
Lever mechanism : 454A876
Draw base : 454A396



OTHER FEATURES	
Rated current	Consult us for intensities higher than 800 A
Short-circuit current Icc	20 kA for 250 ms
Number of operations	2 000
Pre-wired pilot circuit	10 A/250 V

Type	COLOR coding		SOCKET-OUTLET female SP WITHOUT LUG	INLET male SP WITHOUT LUG
	Europe*	Reference	Reference	Reference
L1	Brown	4544001	4548001	4548001
L2	Black	4544002	4548002	4548002
L3	Grey	4544003	4548003	4548003
Neutral	Blue	454400N	454800N	454800N
Earth	Green	454400T	454800T	454800T
Positive	Red	454400P	454800P	454800P
Negative	Black	454400M	454800M	454800M

* The indicated references are valid for Europe and Japan. for UK, South Africa and India : add the suffix P40.
Color coding is as follows: L1 => Red/L2 => Yellow/L3 => Blue/Neutral => Black/Earth => Green/Positive => Red/Negative => Black.

SP 800 A

Type	COLOR coding		SOCKET-OUTLET female SP WITHOUT LUG	INLET male SP WITHOUT LUG
	Australia and New Zealand	USA	Reference Australia and New Zealand	Reference USA
L1	Red	Black	4544001P67	4544001P80
L2	White	Red	4544002P67	4544002P80
L3	Blue	Blue	4544003P67	4544003P80
Neutral	Black	White	454400NP67	454400NP80
Earth	Green	Green	454400TP67	454400TP80
Positive	Red	Red	454400PP67	454400PP80
Negative	Black	Black	454400MP67	454400MP80

LUGS

Lug choice depends on the cable: the cross-section of the flexible cable mentioned in the table below is for information only. Please check dimensions as these may vary according to cable types and manufacturers.

Cable cross-section (mm ²)	Straight with hole Reference	Straight threaded M12 Reference	Internal diameter (mm)	External diameter (mm)*	Crimping die
70	454A50C	454A50D	11	15	HCU/70
95	454A70C	454A70D	13.1	18	HCU/95
120	454A95C	454A95D	14.5	19	HCU/120
150	454A12C	454A12D	16.2	21	HCU/150
185	454A15C	454A15D	18	24	HCU/185
240	454A18C	454A18D	20.6	26	HCU/240
300	454A24C	454A24D	23.1	29	HCU/300
400	454A30C	454A30D	26.1	32	HCU/400
500	454A40C	454A40D	29.2	40	HCU/500
630	454A500C	454A500D	33.2	42	HCU/630
/	/	454A63D	37.6	52	HCU/800

For male contact, wiring with crimping lugs, according to NF C20-130 standard (for VDE 0220 standard, please contact us). Crimping: Double hexagonal crimping is recommended.
*Select the crimping tool according to the outside diameter of your lug.

OPTIONS	Reference	HANDLE	Input/Cable outer Ø	Reference
M12 CONNECTION PIECE*		HANDLE STRAIGHT		
	474A277		M50 17-38 mm	454A753
			M63 35-43 mm	454A783
LOCKING SYSTEM		SLEEVE		Reference
	Flat key lock for Ø 4 to 8 mm padlocks (padlock not supplied) 454A843		SLEEVE INCLINED METAL 45°	
	*Wiring with straight cable lugs with terminals.		The inclined sleeve is recommended to reduce cable weight effect.	454A027

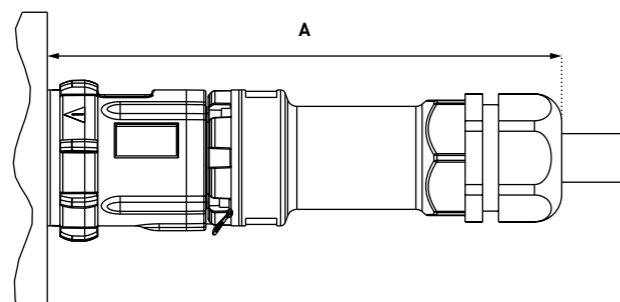
SP 800 A

DRAWINGS AND DIMENSIONS



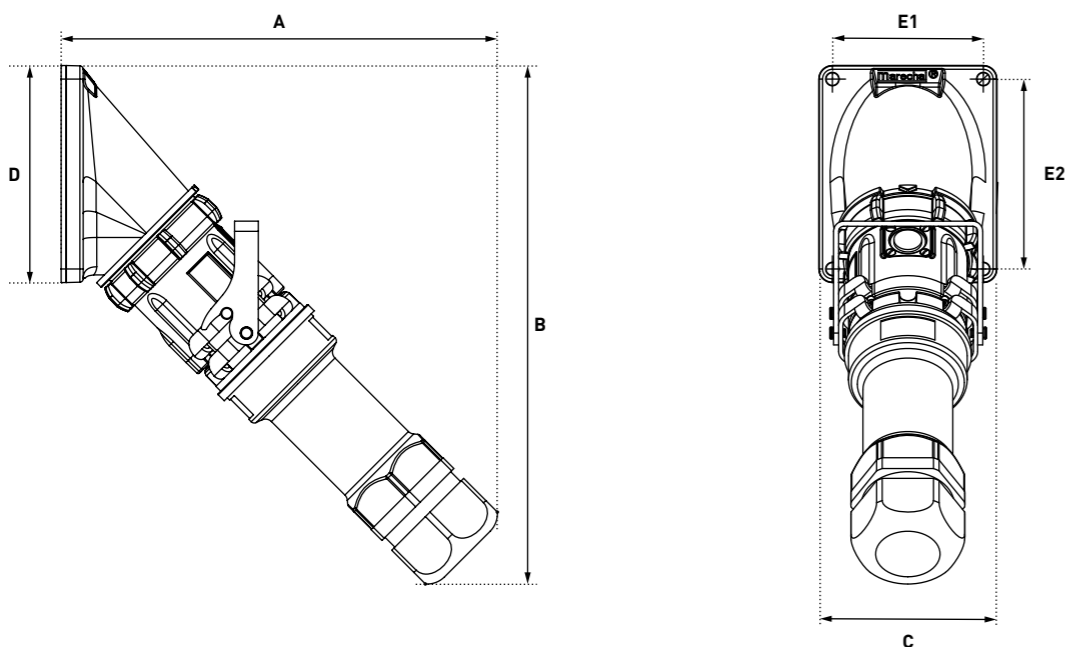
DOWNLOAD THE DRAWINGS ON OUR WEBSITE marechal.com

PLUG ON SOCKET-OUTLET



	A
SP M50	265
SP M63	291

PLUG ON 45° INCLINED SOCKET-OUTLET



	A	B	C	D	E1	E2
SP M50	254	306	105	128	89	112
SP M63	279	330	105	128	89	112



THERE IS POWER

BEYOND CONNECTIONS

Safe, reliable and high-performance 800 A single-pole connectors for applications requiring high electrical power with a high capacity for absorbing frequent overcurrents, up to 10*In.



MARECHAL
ELECTRIC
BEYOND CONNECTIONS