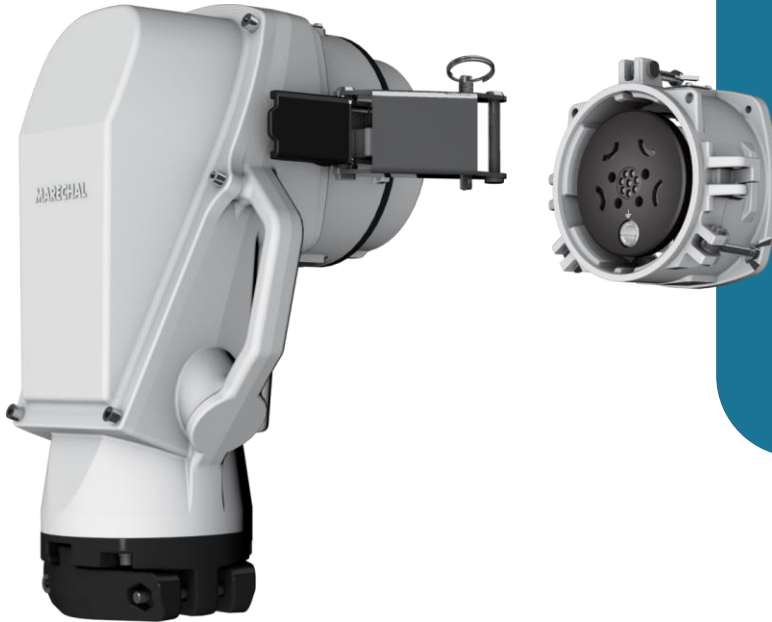


P66

MARECHAL®



Complies with the following regulations and standards^(a):
European Low Voltage and RoHS Directives (CE marking),
European REACH Regulation.

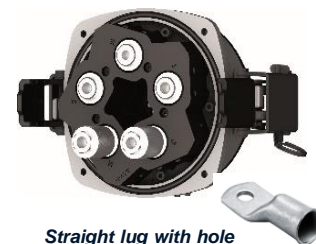
General information		
(b)	I_{max}	660 A
	U_{max}	1 100 V AC/1 500 V DC
(c)	Frequency	≤ 500 Hz
(d)	Number of contacts	4P+E
(e)	Number of keying positions	10
	Connection (min - max) conductors (Cu)	
	Flexible & Rigid/stranded : main contacts	Cage terminal: 150-400 mm ² Straight lug with hole: 120-240 & 150-300 mm ²
	Tightening torque - main contacts	Cage terminal : 6 N.m Straight lug with hole : 40 N.m
	Ferrule : Reducer / Amplifier	95 - 150 mm ²
Auxiliaries / pilots contacts		
	Number of auxiliaries	8
	I_{max}	10 A
	U_{max}	400 V
	Connection (min - max)	
	Flexible wiring	2.5 mm ² (Pre-wired)
(f)	Number of pilots contacts	1
	I_{max}	0,5 A
	U_{max}	400 V
	P_{max}	10 W
	Connection (min - max)	
	Flexible wiring	0,14 mm ² (Pre-wired)
Number of operations		
	Mechanical	2000
Thermal features		
	Temperature of use mini/maxi	-40/+60 °C
	Storage temperature mini/max	-40/+80 °C



1 : Main contacts
2 : Auxiliaries contacts
3 : Pilot contact (REED)



Cage terminal



Straight lug with hole

P66

Mechanical features

(g)	IP: connected device	IP66/IP67
(g)	IP: lid/cap closed	IP66/IP67
(g)	IP: socket-outlet with lid/cap opened	IP2X
(h)	IK	IK10
	Retaining/releasing device	Levers
	Casing	Aluminium
	Standard color	Grey
	Vibrations resistance	✓
	Resistance to chemical agents	✓
	Salt mist resistance	Contact us
	Screws and bolts	Stainless steel
	Weight of inlet without accessory (≈)	5,8 kg
	Weight of socket-outlet without accessory (≈)	7,5 kg

Main options

	Light indicator	✓
	Inlet cap	Included : IP66/IP67
	Outlet cap	Included : IP66/IP67
	Locking pin	Included
	Padlocking	✓
	Pilotes contacts (REED)	Included

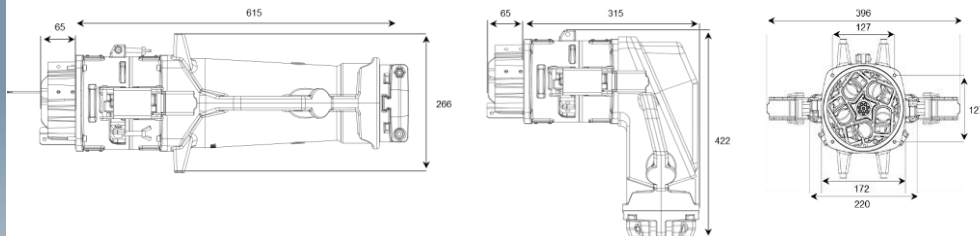
Mounting accessories

	Metal straight handle with built-in cable gland: range take	40 - 90 mm
	Threaded metal straight handle + multi cable glands plate	M50 - M90
	Metal 90° angled-handle with built-in cable gland: range take	40 - 90 mm
	Threaded metal 90° angled-handle + multi cable glands plate	M50 - M90

Spare parts

	Inlet or socket-outlet interior moulding	✓
	Inlet or socket-outlet contacts	✓
	Inlet or socket-outlet casing	✓
	Socket-outlet casing gasket	✓

Dimensions (mm)



(a)	European Regulation REACH: registration, evaluation, authorisation and restriction of chemicals
(b)	In : Rated current as defined by the manufacturer
(c)	Other frequency: contact us
(d)	Solid silver-tipped contact
(e)	Number of voltage / frequency / grid, keying positions
(f)	Pilot contacts are only located on the socket-outlet side
(g)	IP : Degrees of protection provided by enclosures (IEC/EN 60529)
(h)	IK : Degrees of protection provided by enclosures against mechanical impacts (IEC/EN 62262)

